



RP690 Series

High Voltage/High Current DC Power Line Filter

RP690
DC TO 500A & 1200V
CHASSIS MOUNT FILTER
INVERTER APPLICATIONS

ROHS COMPLIANT



SPECIFICATIONS

| | |
|------------------------|--|
| Operating Freq. | : DC |
| Max. Operating Voltage | : 1200VDC |
| Ambient Temperature | : -25 to 50C |
| Climatic Category | : 25/100/21 |
| Hipot Rating (L-G) | : 4700VDC |
| Terminals (-T) | : S: 50A (M6) 100/200 (M10) 300 (M12) 500A (M12 DUAL) |
| Safety Approvals | : cURus, EN60939 (PENDING) |

TYPICAL INSERTION LOSS, dB (50/50ohm)

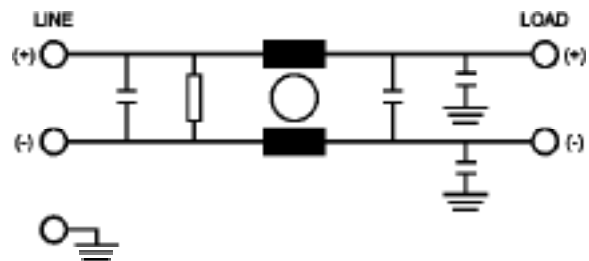
| FREQ (MHz) | .15 | .5 | 1.0 | 10 | 30 |
|------------|-----|----|-----|----|----|
| CM(dB) | 16 | 28 | 36 | 45 | 50 |
| DM(dB) | 32 | 60 | 60 | 50 | 50 |

PART NUMBER/ ORDERING

| RP690 | -X (Amps) | -Y (Ycap, nF) | -T | Weight LBS (KG) Typ. |
|-------|--------------|------------------|----|----------------------------|
| | 50 | 100 | S | 7.0 (3.2) |
| | 100 | 1000 | | 11.0 (5.0) |
| | 200 | 2000 | | 14.0 (6.4) |
| | 300 | | | 20.0 (9.1) |
| | 500 | | | 27.0 (12.2) |

Note: Use any combination of -Y with any -X (Amps) rating
 e.g. RP690-500-100-S (500 Amps with 100nF Ycap)

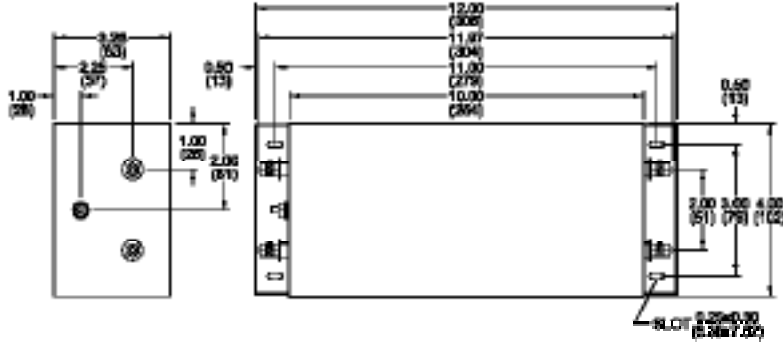
SCHEMATIC



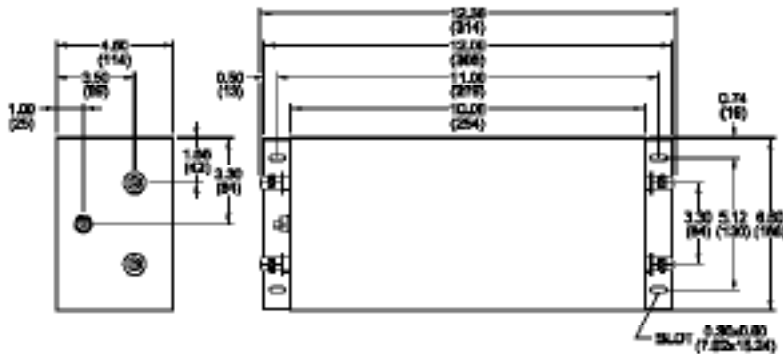
Reference purposes only.
 Specifications are subject to change.
 Consult factory to verify specifications.

RP690 Series Mechanical Dimensions

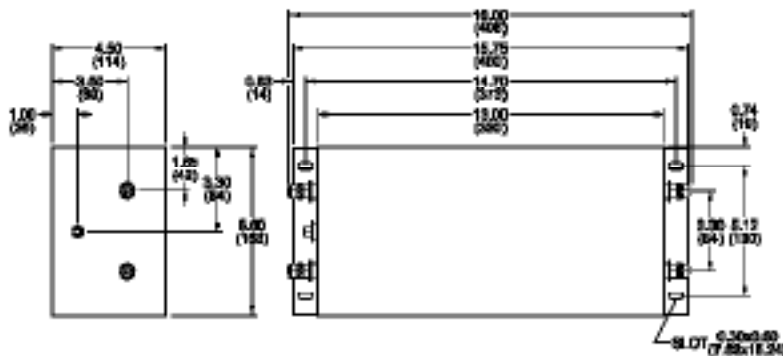
50 Amp



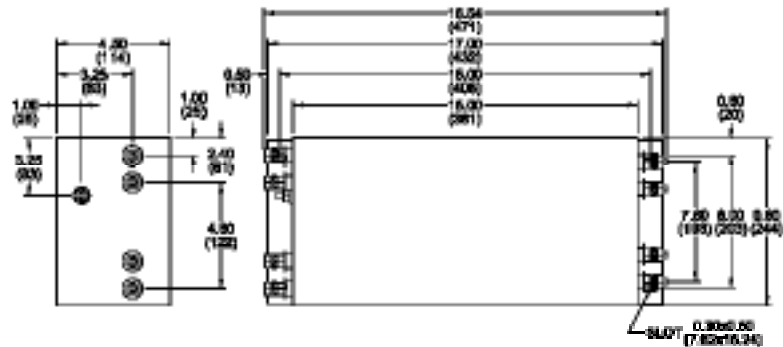
100 Amp



200/300 Amp



500 Amp



TYPICAL TOLERANCE: +/-0.02 (0.50)

Reference purposes only.
Specifications are subject to change.
Consult factory to verify specifications.