

## RP600C Series

## High Performance, W/ Circuit Breaker DC Power Line Filter

### RP600C HIGH PERFORMANCE TO 125A DC FILTER WITH CIRCUIT BREAKER

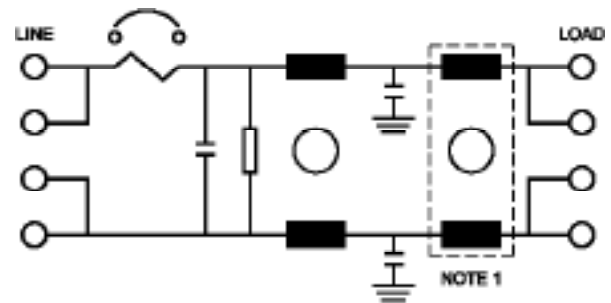
ROHS COMPLIANT

#### SPECIFICATIONS

Max. Operating Voltage	: 100VDC
Ambient Temperature	: -25 to 55C
Climatic Category	: 25/100/21
Hipot Rating (L-G)	: 2700VDC
Terminals (-T)	: S: 15/30/60A (M5) 80/100/125A (M6)
Safety Approvals	: UR, EN60939



#### SCHEMATIC



NOTE: 1  
INDUCTOR REMOVED FOR 100A AND 125A

#### PART NUMBER/ ORDERING

RP600C	-X (Amps)	-Y (Ycap, nF)	-T	-Z	Weight LBS (KG) Typ.
	15	10	S	B	2.5 (1.1)
	30	22		F	3.0 (1.4)
	60	100			4.0 (1.8)
	80				4.2 (1.9)
	100				5.5 (2.5)
	125				5.5 (2.5)

Note: -Z = Mounting

B = Bulkhead Mounting

F = Flange Mounting

Use any combination of -Y(YCap) with any -X (Amps) rating:  
e.g. RP600C-30-10-S-F (30 Amps with 10nF Ycap, Flange)

Reference purposes only.  
Specifications are subject to change.  
Consult factory to verify specifications.



## RP600C

### Typical Insertion Loss, dB (50/50ohm)

15 Amp					
FREQ (MHz)	.15	.5	1	10	30
CM (dB)	22	42	50	50	40
DM (dB)	30	32	38	40	35

30 Amp					
FREQ (MHz)	.15	.5	1	10	30
CM (dB)	24	50	60	45	38
DM (dB)	32	35	60	45	30

60/80 Amp					
FREQ (MHz)	.15	.5	1	10	30
CM (dB)	18	40	40	45	35
DM (dB)	40	42	35	42	35

100 Amp					
FREQ (MHz)	.15	.5	1	10	30
CM (dB)	20	40	40	35	25
DM (dB)	40	42	30	45	35

125 Amp					
FREQ (MHz)	.15	.5	1	10	30
CM (dB)	20	32	34	30	20
DM (dB)	40	42	30	42	35

Reference purposes only.  
 Specifications are subject to change.  
 Consult factory to verify specifications.

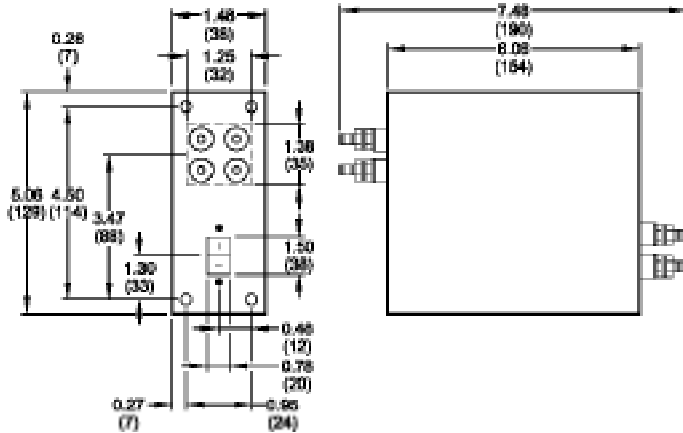


## RP600C

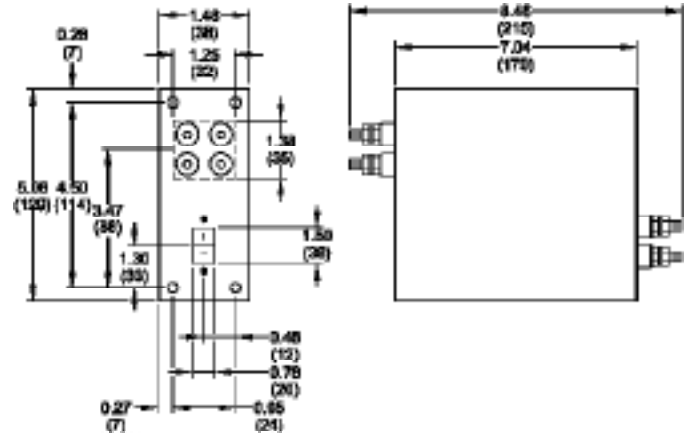
### Bulkhead Mounting

### Mechanical Dimensions

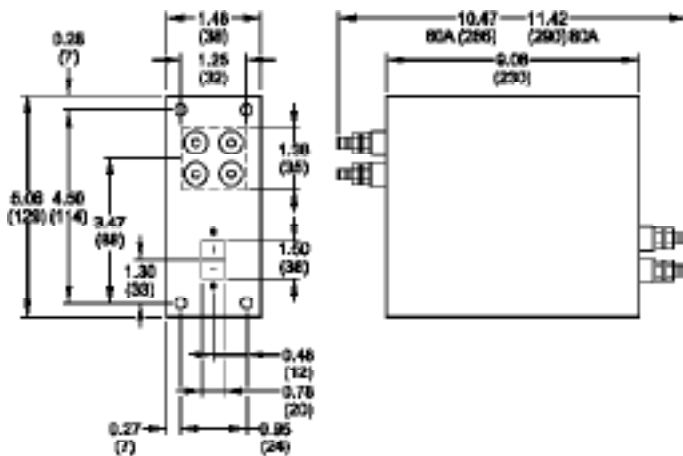
15 Amp



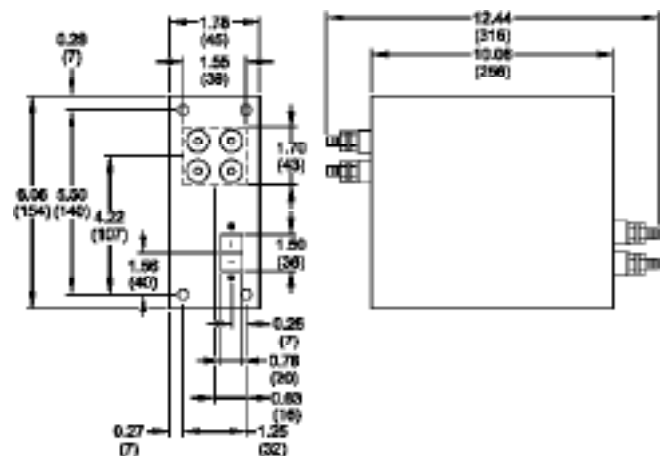
30 Amp



60/80 Amp



100/125 Amp



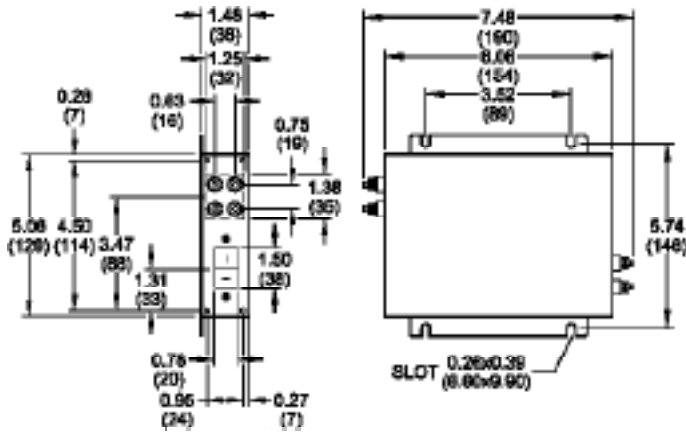
TYPICAL TOLERANCE: +/-0.02 (0.50)

Reference purposes only.  
Specifications are subject to change.  
Consult factory to verify specifications.

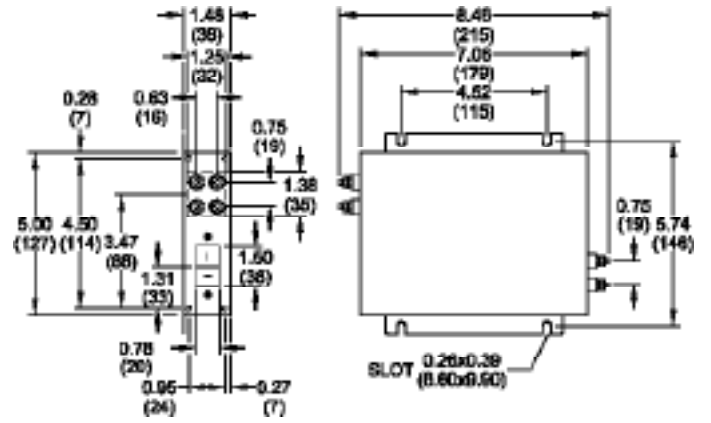
**RP600C**  
Flange Mounting

**Mechanical Dimensions**

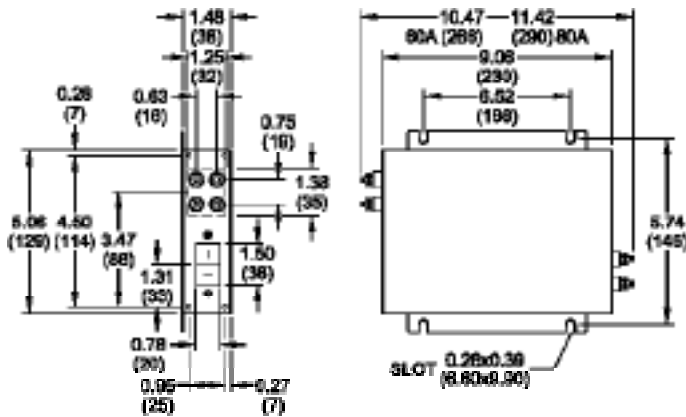
15 Amp



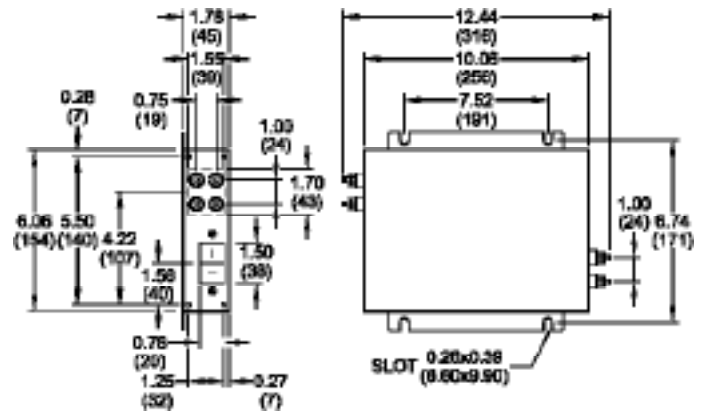
30 Amp



60/80 Amp



100/125 Amp



TYPICAL TOLERANCE: +/-0.02 (0.50)

Reference purposes only.  
Specifications are subject to change.  
Consult factory to verify specifications.