

RP428 Series

480V, 3-Phase WYE Dual Stage Power Line Filter

**RP428
3PHASE WYE TO 600A**

ROHS COMPLIANT



SPECIFICATIONS

Operating Freq.	: 50/60Hz
Usable Freq.	: DC - 400Hz
Max. Operating Voltage	: 480V +10%
Ambient Temperature	: -25 to 60C
Climatic Category	: 25/100/21
Hipot Rating (L-G)	: 3500VDC
Terminals (-T)	: S: 8/16/25/36A (M5) 64/80A (M6) 120/160/200A (M10) B: 300/400A (6x25) 600A (8x25)
Safety Approvals	: cURus, EN60939

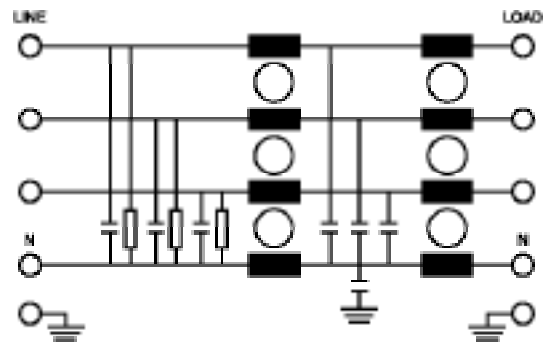
LEAKAGE CURRENT

Y-cap, nF	mA, 480V/60Hz
0	0
10	0.1
100	1
1000	10
2000	20

PART NUMBER/ ORDERING

RP428	-X (Amps)	-Y (Ycap, nF)	-T	Weight LBS (KG) Typ.
	8	0	S	4.2 (1.9)
	16	10		4.5 (2.0)
	25	100		6.0 (2.7)
	36	1000		8.0 (3.6)
	64	2000		8.0 (3.6)
	80			21.0 (9.5)
	120			21.0 (9.5)
	160			27.0 (12.5)
	200			27.0 (12.5)
	300			B
	400		75.0 (34.0)	
	600		80.0 (36.2)	

SCHEMATIC



Note: Use any combination of -Y with any -X (Amps) rating
e.g. RP428-80-10-S (80 Amps with 10nF Ycap)

Reference purposes only.
Specifications are subject to change.
Consult factory to verify specifications.

www.radiuspower.com
www.astrodyne.com

Email: Emifiltercs@astrodyne.com

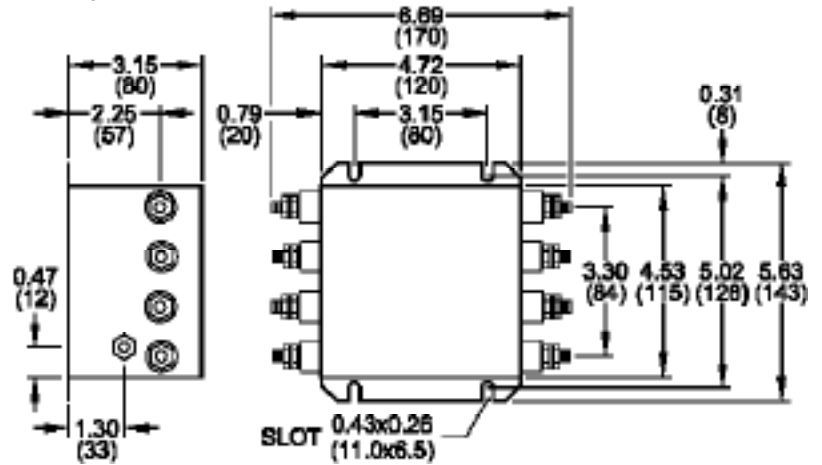
RP428

Typical Insertion Loss, dB (50/50ohm)

Mechanical Dimensions

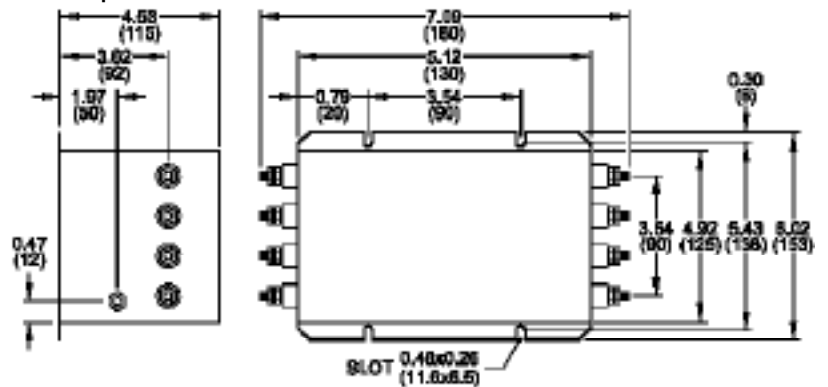
8/16 Amp					
FREQ (MHz)	.15	.5	1	10	30
CM (dB)	65	75	75	45	30
DM (dB)	52	65	60	55	50

8/16 Amp



25/36 Amp					
FREQ (MHz)	.15	.5	1	10	30
CM (dB)	65	75	70	42	30
DM (dB)	60	70	65	58	50

25/36 Amp



TYPICAL TOLERANCE: +/-0.02 (0.50)

Reference purposes only.
Specifications are subject to change.
Consult factory to verify specifications.

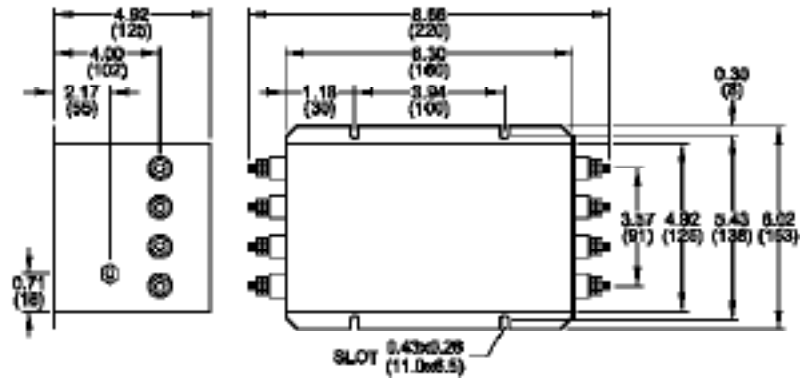
RP428

Typical Insertion Loss, dB (50/50ohm)

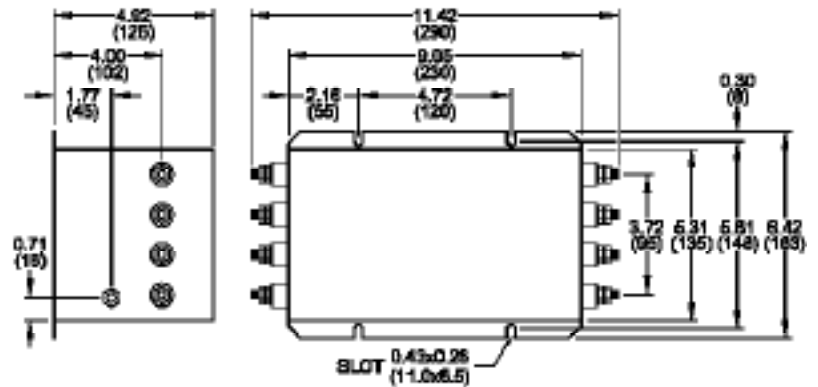
Mechanical Dimensions

64/80/120 Amp					
FREQ (MHz)	.15	.5	1	10	30
CM (dB)	55	64	60	45	25
DM (dB)	65	75	60	50	42

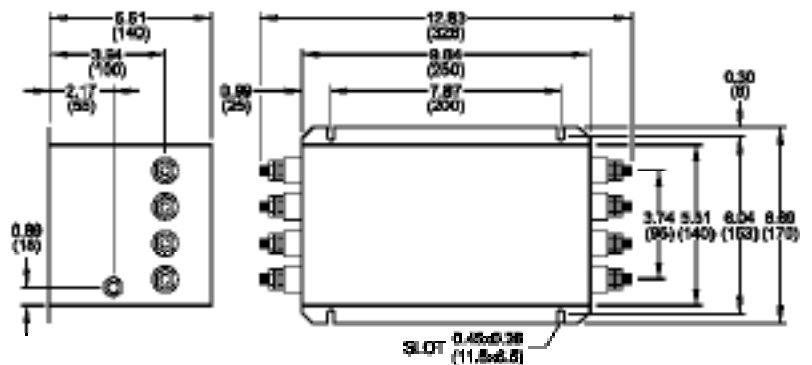
64 Amp



80 Amp



120 Amp



TYPICAL TOLERANCE: +/-0.02 (0.50)

Reference purposes only.
Specifications are subject to change.
Consult factory to verify specifications.

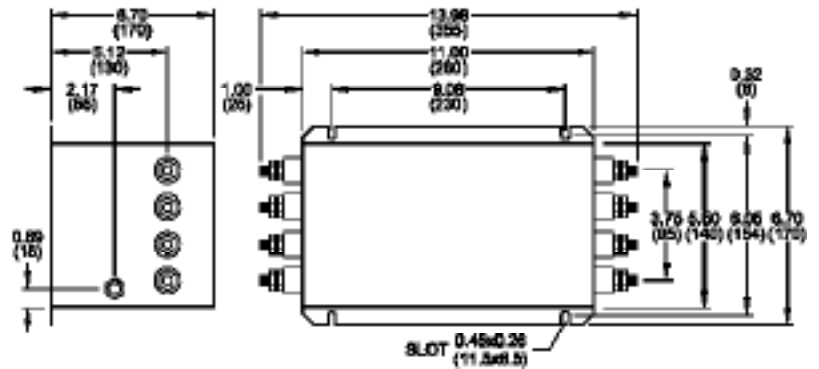
RP428

Typical Insertion Loss, dB (50/50ohm)

Mechanical Dimensions

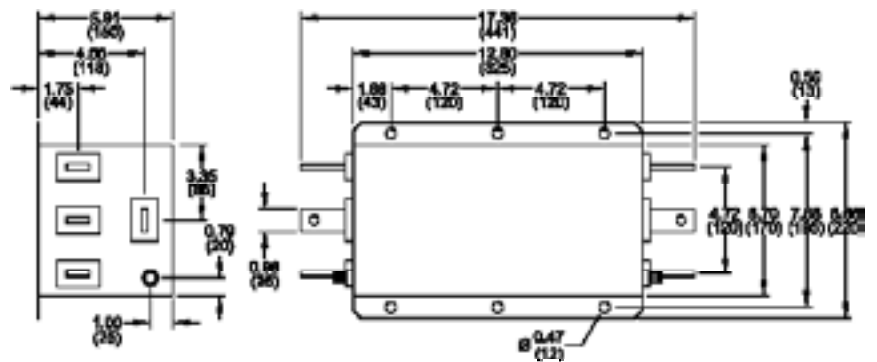
160/200 Amp					
FREQ (MHz)	.15	.5	1	10	30
CM (dB)	60	65	55	35	20
DM (dB)	65	55	60	30	30

160/200 Amp

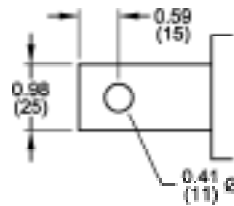


300/400/600 Amp					
FREQ (MHz)	.15	.5	1	10	30
CM (dB)	65	62	60	30	20
DM (dB)	60	42	40	25	20

300/400/600 Amp



BUSBAR DETAIL



300/400 Amp - 6mm THICK
600 Amp - 8mm THICK

Reference purposes only.
Specifications are subject to change.
Consult factory to verify specifications.