

RP405 Series

3-Phase Wye Single Stage Power Line Filter

RP405 COMPACT 3PHASE WYE TO 40A

ROHS COMPLIANT



SPECIFICATIONS

Operating Freq.	: 50/60Hz
Usable Freq.	: DC - 400Hz
Max. Operating Voltage	: 480V +10%
Ambient Temperature	: -25 to 50C
Climatic Category	: 25/100/21
Hipot Rating (L-G)	: 3500VDC
Terminals (-T)	: S: M5
Safety Approvals	: CSA, UR, EN60939
Typ. Weight, LBS (KG)	: 2.5 (1.1)

LEAKAGE CURRENT

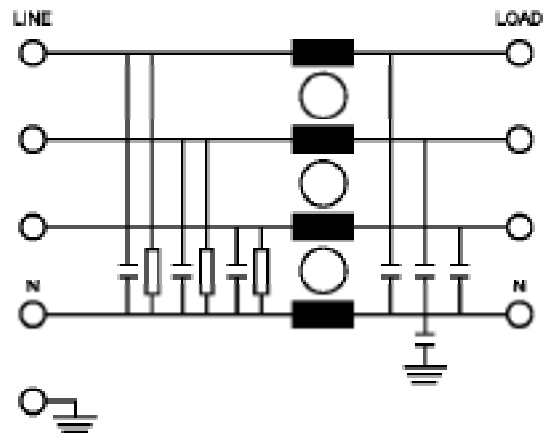
Y-cap, nF	mA, 480V/60Hz
0	0
10	0.1
100	1
1000	10

PART NUMBER/ ORDERING

RP405	-X (Amps)	-Y (Ycap, nF)	-T
	6	0	S
	10	10	
	20	100	
	30	1000	
	40		

Note: Use any combination of -Y with any -X (Amps) rating
e.g. RP405-40-1000-S (40 Amps with 1000nF Ycap)

SCHEMATIC



RP405

Typical Insertion Loss, dB (50/50ohm) Mechanical Dimensions

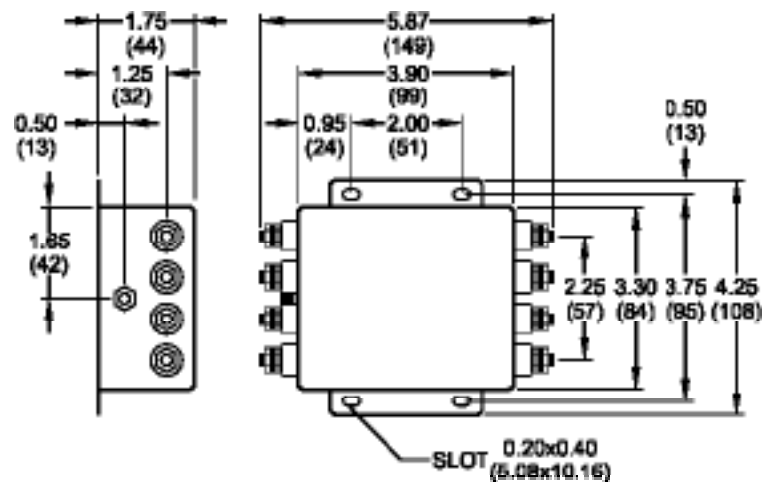
6 Amp					
FREQ (MHz)	.15	.5	1	10	30
CM (dB)	67	70	70	55	50
DM (dB)	52	70	75	75	65

10 Amp					
FREQ (MHz)	.15	.5	1	10	30
CM (dB)	60	70	70	55	50
DM (dB)	48	70	75	75	65

20 Amp					
FREQ (MHz)	.15	.5	1	10	30
CM (dB)	58	62	65	50	50
DM (dB)	48	55	60	60	50

30 Amp					
FREQ (MHz)	.15	.5	1	10	30
CM (dB)	58	68	70	55	50
DM (dB)	46	65	70	70	65

40 Amp					
FREQ (MHz)	.15	.5	1	10	30
CM (dB)	57	65	70	55	50
DM (dB)	45	65	70	70	65



TYPICAL TOLERANCE: +/-0.02 (0.50)

Reference purposes only.
Specifications are subject to change.
Consult factory to verify specifications.