

**RP359 Series      3-Phase Delta Compact Multi-Stage High Current EMI Power Line Filter**

**RP359  
3PHASE DELTA  
TO 2500A**

**ROHS COMPLIANT**



**SPECIFICATIONS**

Operating Freq.	: 50/60Hz
Usable Freq.	: DC - 400Hz
Max. Operating Voltage	: 520VAC (480V +10%)
Ambient Temperature	: -25 to 50C
Climatic Category	: 25/100/21
Hipot Rating (L-G)	: 3500VDC
Terminals (-T)	: S: 150/180/250A (M10) B: 320/400A (6x25) 600A (8x25) 800/1000A (8x40) 1500A (10x60) 2500 (15x70)
Safety Approvals	: cURus, EN60939

**LEAKAGE CURRENT**

Y-cap, nF	mA, 480V/60Hz
0	0
10	0.1
100	1
1000	10
2000	20

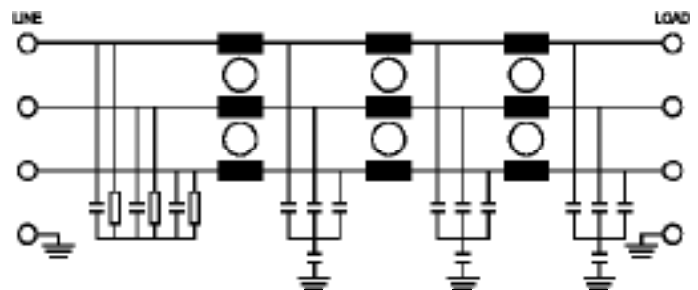
**PART NUMBER/ ORDERING**

RP359	-X (Amps)	-Y (Ycap, nF)	-T	Weight LBS (KG) Typ.
	150	0	S	14.7 (6.7)
	180	10		14.7 (6.7)
	250	100		19.5 (8.8)
	320	1000	B	25.0 (11.3)
	400	2000		25.0 (11.3)
	600			26.0 (11.8)
	800			26.0 (11.8)
	1000			39.0 (17.7)
	1600			39.0 (17.7)
	2500			39.0 (17.7)

**TYPICAL INSERTION LOSS, dB  
(50/50ohm)**

FREQ (MHz)	.15	.5	1	10	30
CM (dB)	65	80	80	40	20
DM (dB)	65	65	60	35	20

**SCHEMATIC**



**Note:** Use any combination of -Y with any -X (Amps) rating  
e.g. RP359-600-100-B (600 Amps with 100nF Ycap)

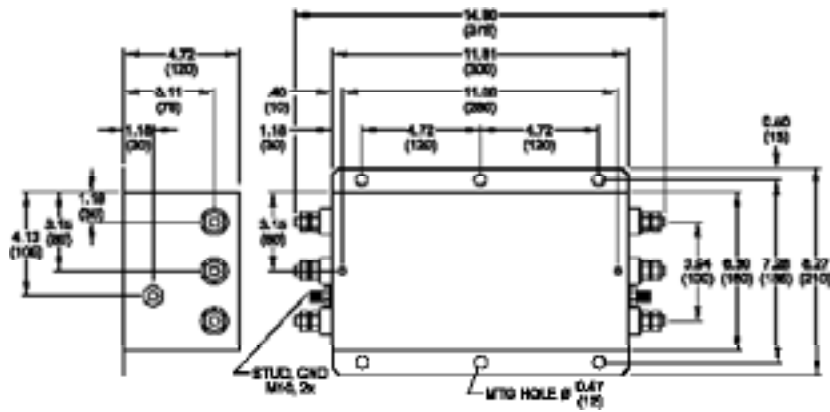
[www.radiuspower.com](http://www.radiuspower.com)  
[www.astrodyne.com](http://www.astrodyne.com)

Reference purposes only.  
Specifications are subject to change.  
Consult factory to verify specifications.

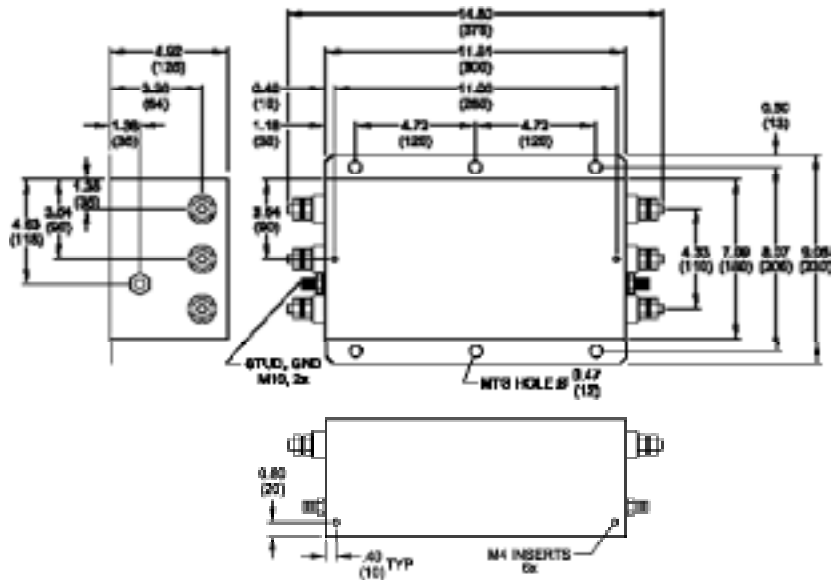
Email: [Emifiltercs@astrodyne.com](mailto:Emifiltercs@astrodyne.com)

**RP359 Series  
Mechanical Dimensions**

**150/180A**



**250A**



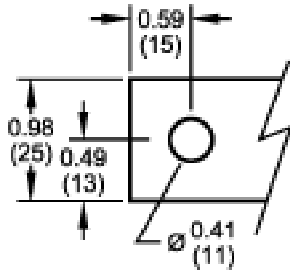
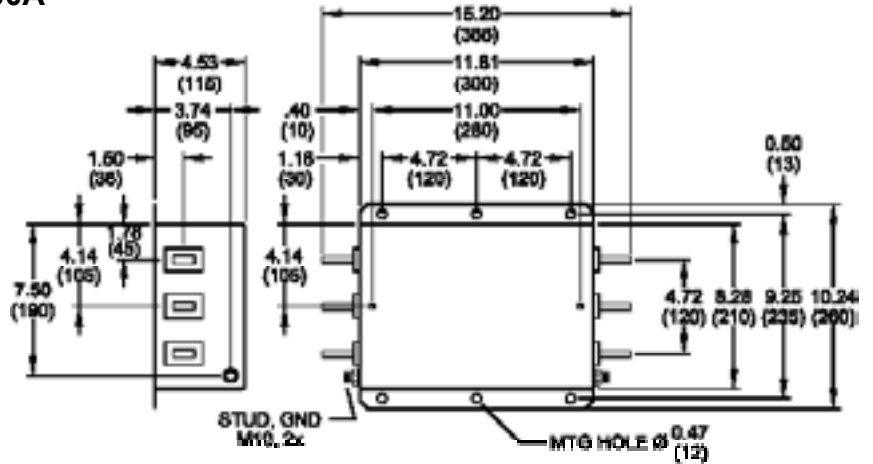
TYPICAL TOLERANCE: +/-0.02 (0.50)

M4 LOCATION TYP. FOR RP359 STUD VERSIONS ONLY

Reference purposes only.  
Specifications are subject to change.  
Consult factory to verify specifications.

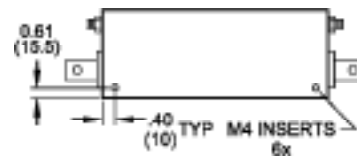
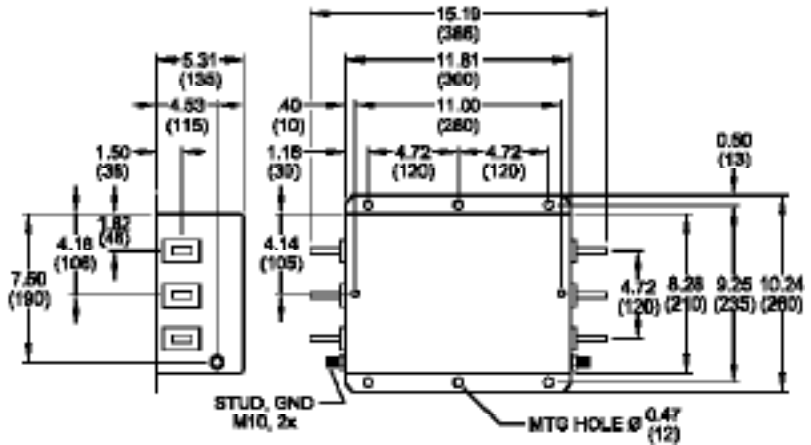
**RP359 Series  
Mechanical Dimensions**

**320/400A**



320/400A BUS BAR: 6x25  
600A BUS BAR: 8x25

**600A**



TYPICAL TOLERANCE: +/-0.02 (0.50)

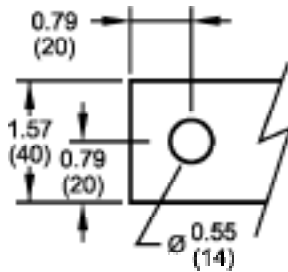
M4 LOCATION TYP. FOR RP359 BUS BAR VERSIONS ONLY

Reference purposes only.  
Specifications are subject to change.  
Consult factory to verify specifications.

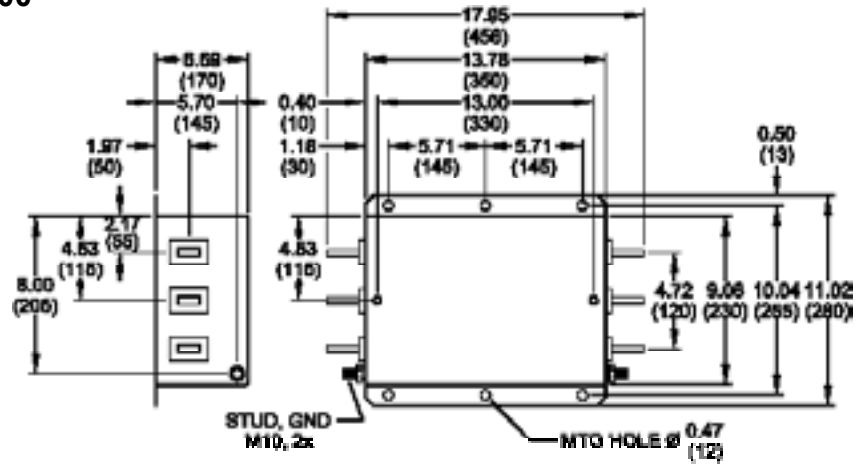
**RP359 Series  
Mechanical Dimensions**

**800/1000**

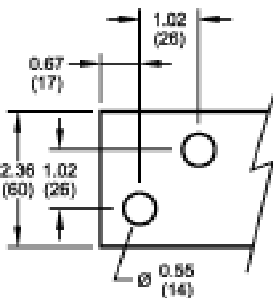
BUS BAR DETAIL



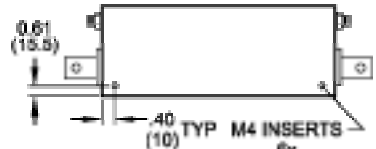
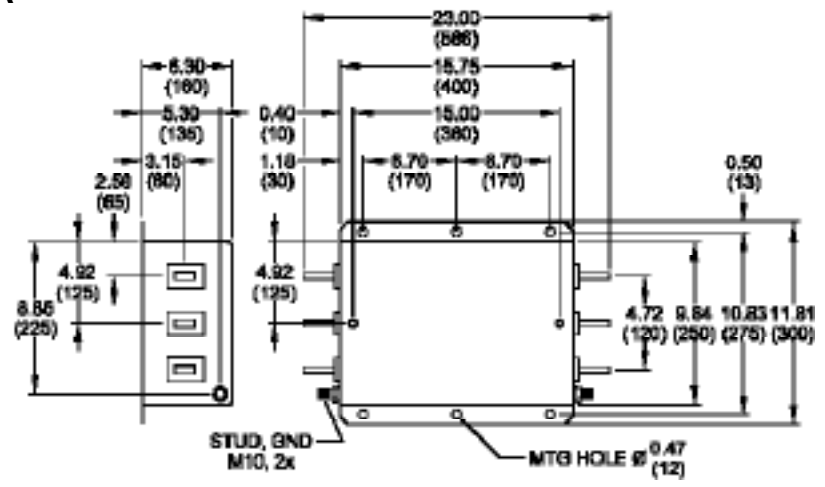
800/1000A BUS BAR: 8x40



**1600A**



1600A BUS BAR: 10x60



TYPICAL TOLERANCE: +/-0.02 (0.50)

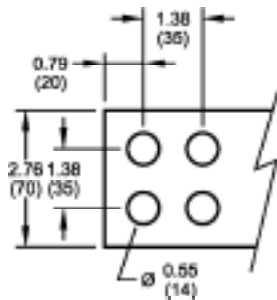
M4 LOCATION TYP. FOR RP359 BUS BAR VERSIONS ONLY

Reference purposes only.  
Specifications are subject to change.  
Consult factory to verify specifications.

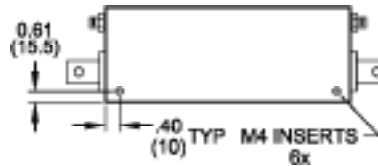
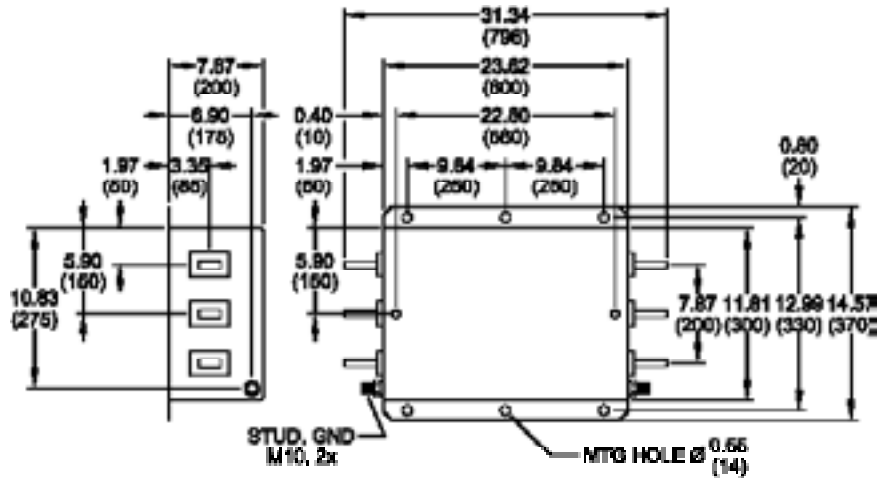
**RP359 Series  
Mechanical Dimensions**

## 2500A

BUS BAR DETAIL



2500A BUS BAR: 15x70



TYPICAL TOLERANCE: +/-0.02 (0.50)

M4 LOCATION TYP. FOR RP359 BUS BAR VERSIONS ONLY