

## RP330 Series

## 3-Phase Delta Dual Stage Power Line Filter

### RP330 3PHASE DELTA TO 250A

ROHS COMPLIANT



### SPECIFICATIONS

|                        |  |
|------------------------|--|
| Operating Freq.        | : 50/60Hz  |
| Usable Freq.           | : DC - 400Hz   |
| Max. Operating Voltage | : 480V +10%  |
| Ambient Temperature    | : -25 to 50C   |
| Climatic Category      | : 25/100/21  |
| Hipot Rating (L-G)     | : 3500VDC  |
| Terminals (-T)         | : S: 10/16/25/50A (M5)<br>80/100A (M6)<br>150/200/250A (M10) |
| Safety Approvals       | : cURus, EN60939   |

### LEAKAGE CURRENT

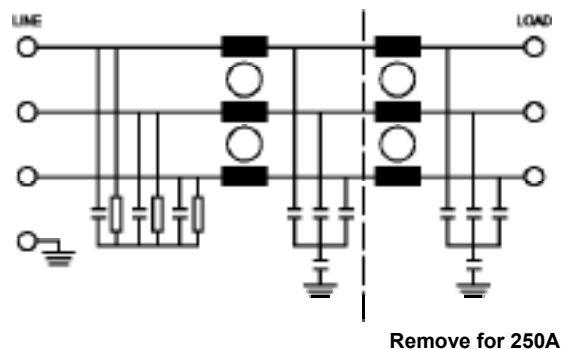
| Y-cap, nF | mA,<br>480V/60Hz |
|-----------|------------------|
| 0         | 0                |
| 10        | 0.1              |
| 100       | 1                |
| 1000      | 10               |
| 2000      | 20               |

### PART NUMBER/ ORDERING

| RP330 | -X<br>(Amps) | -Y<br>(Ycap, nF) | -T | Weight<br>LBS (KG)<br>Typ. |
|-------|--------------|------------------|----|----------------------------|
|       | 10           | 0                | S  | 2.5 (1.1)                  |
|       | 16           | 10               |    | 2.5 (1.1)                  |
|       | 25           | 100              |    | 5.0 (2.3)                  |
|       | 50           | 1000             |    | 5.0 (2.3)                  |
|       | 80           | 2000             |    | 6.0 (2.7)                  |
|       | 100          |                  |    | 6.0 (2.7)                  |
|       | 150          |                  |    | 17.0 (7.7)                 |
|       | 200          |                  |    | 17.0 (7.7)                 |
|       | 250          |                  |    | 17.0 (7.7)                 |

**Note:** Use any combination of -Y with any -X (Amps) rating  
e.g. RP330-100-100-S (100 Amps with 100nF Ycap)

### SCHEMATIC



Reference purposes only.  
Specifications are subject to change.  
Consult factory to verify specifications.

## RP330

### Typical Insertion Loss, dB (50/50ohm)

### Mechanical Dimensions

| 10 Amp     |     |    |    |    |    |
|------------|-----|----|----|----|----|
| FREQ (MHz) | .15 | .5 | 1  | 10 | 30 |
| CM (dB)    | 55  | 68 | 70 | 50 | 40 |
| DM (dB)    | 52  | 65 | 70 | 60 | 30 |

| 16 Amp     |     |    |    |    |    |
|------------|-----|----|----|----|----|
| FREQ (MHz) | .15 | .5 | 1  | 10 | 30 |
| CM (dB)    | 53  | 65 | 70 | 50 | 40 |
| DM (dB)    | 52  | 64 | 68 | 58 | 34 |

| 25 Amp     |     |    |    |    |    |
|------------|-----|----|----|----|----|
| FREQ (MHz) | .15 | .5 | 1  | 10 | 30 |
| CM (dB)    | 56  | 66 | 72 | 54 | 36 |
| DM (dB)    | 58  | 70 | 70 | 54 | 42 |

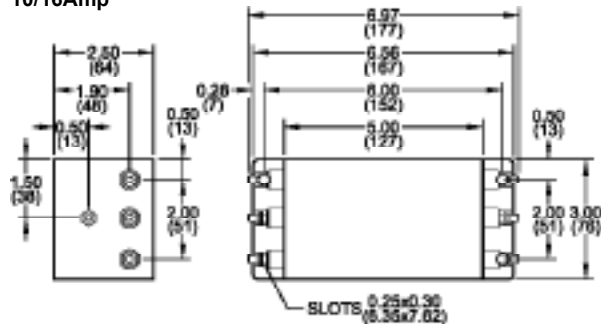
| 50 Amp     |     |    |    |    |    |
|------------|-----|----|----|----|----|
| FREQ (MHz) | .15 | .5 | 1  | 10 | 30 |
| CM (dB)    | 50  | 63 | 68 | 49 | 38 |
| DM (dB)    | 57  | 65 | 70 | 52 | 34 |

| 80/100 Amp |     |    |    |    |    |
|------------|-----|----|----|----|----|
| FREQ (MHz) | .15 | .5 | 1  | 10 | 30 |
| CM (dB)    | 52  | 65 | 70 | 50 | 37 |
| DM (dB)    | 55  | 60 | 65 | 58 | 40 |

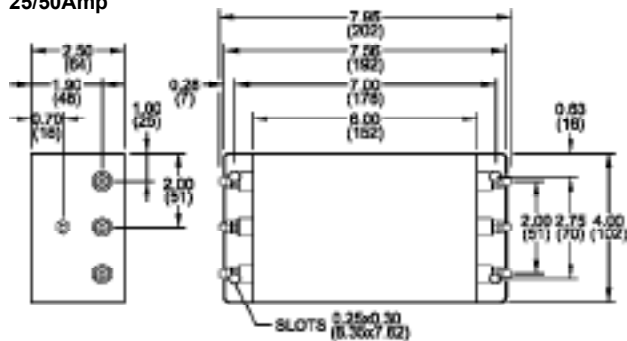
| 150/200 Amp |     |    |    |    |    |
|-------------|-----|----|----|----|----|
| FREQ (MHz)  | .15 | .5 | 1  | 10 | 30 |
| CM (dB)     | 60  | 70 | 70 | 52 | 38 |
| DM (dB)     | 54  | 65 | 70 | 60 | 40 |

| 250 Amp    |     |    |    |    |    |
|------------|-----|----|----|----|----|
| FREQ (MHz) | .15 | .5 | 1  | 10 | 30 |
| CM (dB)    | 48  | 57 | 65 | 50 | 32 |
| DM (dB)    | 50  | 65 | 70 | 48 | 30 |

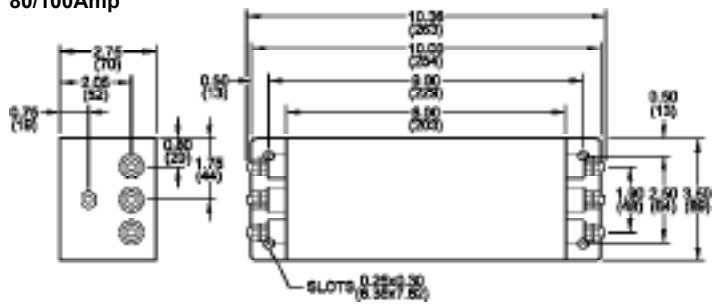
10/16Amp



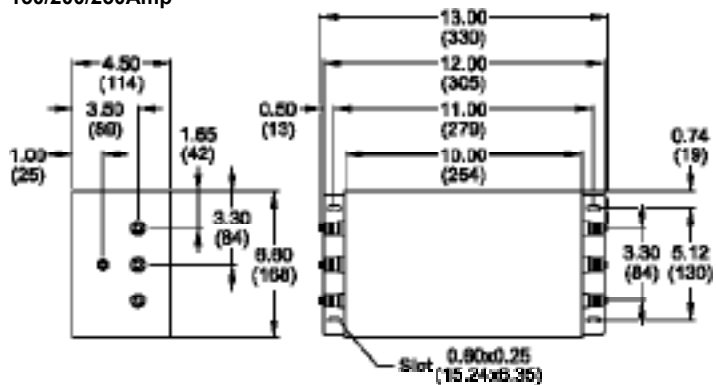
25/50Amp



80/100Amp



150/200/250Amp



TYPICAL TOLERANCE: +/-0.02 (0.50)

Reference purposes only.  
 Specifications are subject to change.  
 Consult factory to verify specifications.

[www.radiuspower.com](http://www.radiuspower.com)  
[www.astrodyne.com](http://www.astrodyne.com)

Email: [Emifilters@astrodyne.com](mailto:Emifilters@astrodyne.com)