

**RP310 Series**

**Ultra Compact 3-Phase Delta Single Stage Power Line Filter**

**RP310  
3PHASE DELTA TO 20A  
CHASSIS MOUNT FILTER**

**ROHS COMPLIANT**



**SPECIFICATIONS**

Operating Freq.	: 50/60Hz
Usable Freq.	: DC - 400Hz
Max. Operating Voltage	: 480V +10%
Ambient Temperature	: -25 to 50C
Climatic Category	: 25/100/21
Hipot Rating (L-G)	: 3500VDC
Terminals (-T)	: QD: 0.25 Tabs
Safety Approvals	: CSA, UR, EN60939
Typ. Weight, LBS (KG)	: 0.4 (0.2)

**LEAKAGE CURRENT**

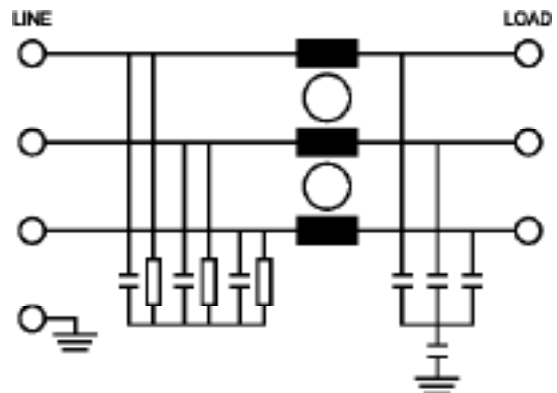
Y-cap, nF	mA, 480V/60Hz
0	0
10	0.1
100	1

**PART NUMBER/ ORDERING**

RP310	-X (Amps)	-Y (Ycap, nF)	-T
	6	0	QD
	10	10	
	20	100	

**Note:** Use any combination of -Y with any -X (Amps) rating  
e.g. RP310-20-10-QD (20 Amps with 10nF Ycap)

**SCHEMATIC**



[www.radiuspower.com](http://www.radiuspower.com)  
[www.astrodyne.com](http://www.astrodyne.com)

Email: [Emifiltercs@astrodyne.com](mailto:Emifiltercs@astrodyne.com)

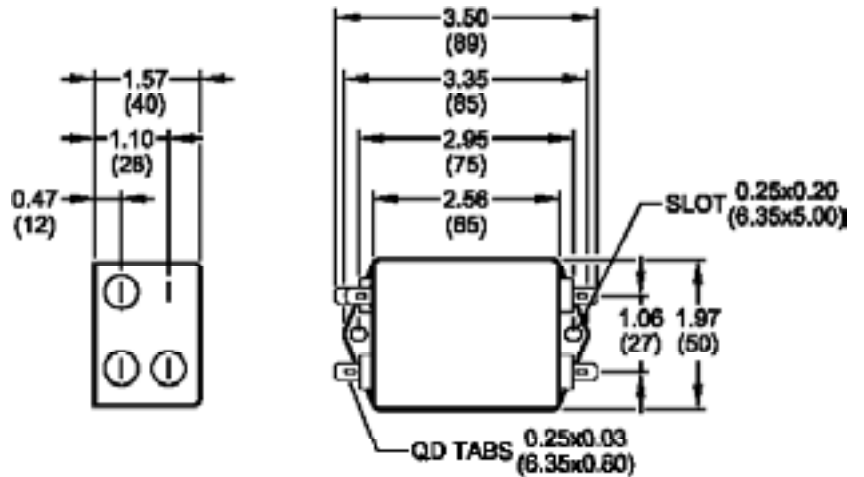
## RP310

### Typical Insertion Loss, dB (50/50ohm) Mechanical Dimensions

6 Amp					
FREQ (MHz)	.15	.5	1	10	30
CM (dB)	54	76	82	82	72
DM (dB)	28	40	47	67	66

10 Amp					
FREQ (MHz)	.15	.5	1	10	30
CM (dB)	34	62	67	72	69
DM (dB)	32	38	44	66	62

20 Amp					
FREQ (MHz)	.15	.5	1	10	30
CM (dB)	22	40	62	72	76
DM (dB)	28	36	44	62	65



TYPICAL TOLERANCE: +/-0.02 (0.50)

Reference purposes only.  
Specifications are subject to change.  
Consult factory to verify specifications.