



RPC1197

Dual Stage, WYE 480V 1U Power Line Filter

**RPC1197
DUAL STAGE 20 TO 30A
WYE, 480V, 1U**

ROHS COMPLIANT



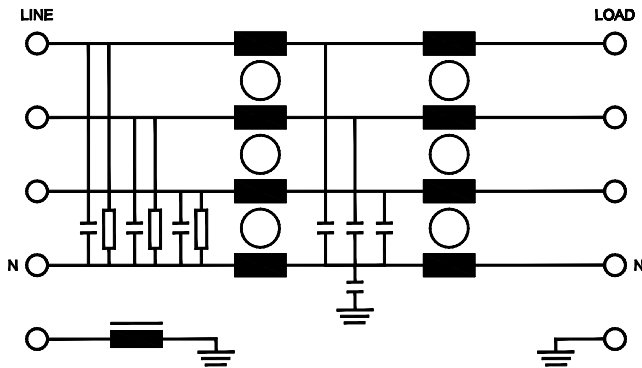
SPECIFICATIONS

Operating Freq.	: 50/60Hz
Usable Freq.	: DC - 400Hz
Operating Voltage	: 480VAC
Ambient Temperature	: -25 to 50C
Climatic Class	: 25/100/21
Hipot Rating	: 3500VDC (P/N-E)
Terminals	: 10-32 Studs
Safety Approvals	: UR, CSA, EN60939
Part Numbers	:
RPC1197-20	20A
RPC1197-30	30A
Weight LBS (Kg) TYP	3.5 (1.6)

Typical Insertion Loss, 50/50 ohm

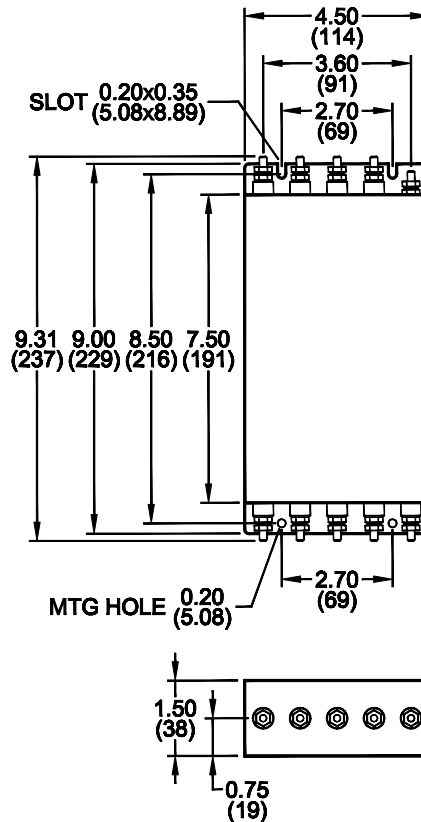
FREQ (MHz)	.15	.5	1	10	30
CM (dB)	32	50	60	42	30
DM (dB)	45	60	60	40	30

SCHEMATIC



Reference purposes only.
Specifications are subject to change.

MECHANICAL



TYPICAL TOLERANCE: +/-0.02 (0.50)

www.radiuspower.com

Engineering Assistance: engg@radiuspower.com
Sales: sales@radiuspower.com