



RP410HP Series

Ultra Compact 3-Phase Wye Single Stage Power Line Filter

**RP410HP
HIGH PERFORMANCE
3PHASE WYE TO 20A
CHASSIS MOUNT FILTER
ROHS COMPLIANT**

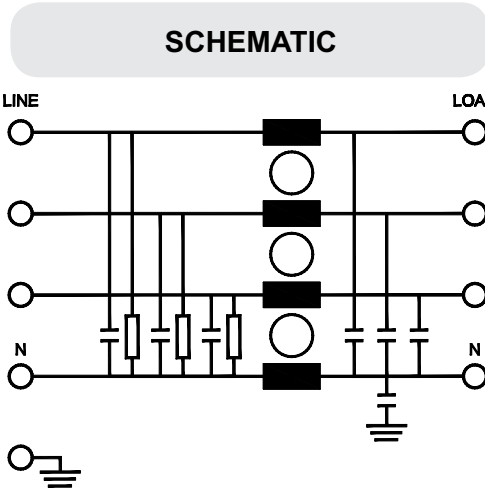


SPECIFICATIONS	
Operating Freq.	: 50/60Hz
Usable Freq.	: DC - 400Hz
Operating Voltage	: 480V +10%
Ambient Temperature	: -25 to 50C
Climatic Category	: 25/100/21
Hipot Rating	: 3500VDC (P/N-E)
Terminals (-T)	: QD: 0.25 Tabs
Safety Approvals	: UR, CSA, EN60939

LEAKAGE CURRENT	
Y-cap, nF	mA, 480V/60Hz
0	0
10	0.1
22	0.2
100	1

PART NUMBER/ ORDERING				
RP410HP	-X (Amps)	-Y (Ycap, nF)	-T	WT LBS (Kg) TYP
	6	0	QD	0.7 (0.3)
	10	10		0.7 (0.3)
	20	22		0.7 (0.3)
		100		

Note: Use any combination of -Y with any -X (Amps) rating
e.g. RP410HP-20-22-QD (20 Amps with 22nF Ycap)



www.radiuspower.com



RP410HP

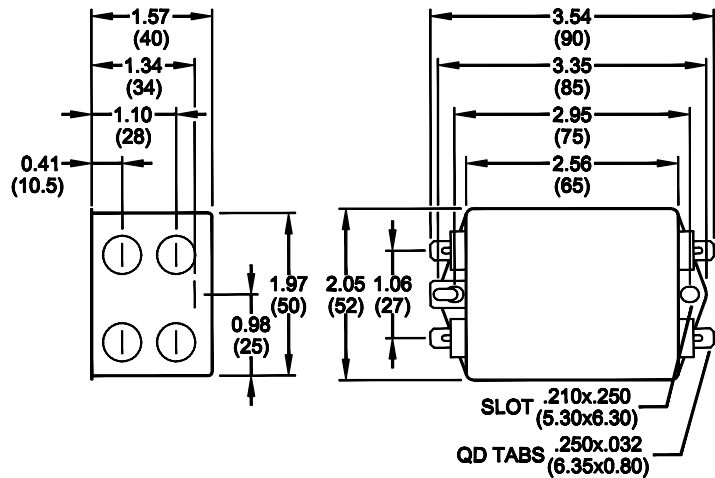
Typical Insertion Loss, dB (50/50ohm)

Mechanical Dimensions

6 Amp					
FREQ (MHz)	.15	.5	1	10	30
CM (dB)	52	75	80	80	70
DM (dB)	28	40	47	67	66

10 Amp					
FREQ (MHz)	.15	.5	1	10	30
CM (dB)	32	60	65	70	67
DM (dB)	32	38	44	66	62

20 Amp					
FREQ (MHz)	.15	.5	1	10	30
CM (dB)	20	38	60	70	75
DM (dB)	28	36	44	62	65



TYPICAL TOLERANCE: +/-0.02 (0.50)