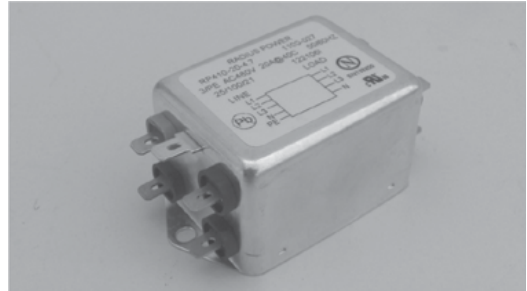


RP410 Series

Ultra Compact 3-Phase Wye Single Stage Power Line Filter

RP410 COMPACT 3PHASE WYE TO 20A CHASSIS MOUNT FILTER

ROHS COMPLIANT



SPECIFICATIONS

Operating Freq.	: 50/60Hz
Usable Freq.	: DC - 400Hz
Operating Voltage	: 480V +10%
Ambient Temperature	: -25 to 40C
Climatic Category	: 25/100/21
Hipot Rating	: 3500VDC (P/N-E)
Terminals (-T)	: QD: 0.25 Tabs
Safety Approvals	: cURus, EN60939

LEAKAGE CURRENT

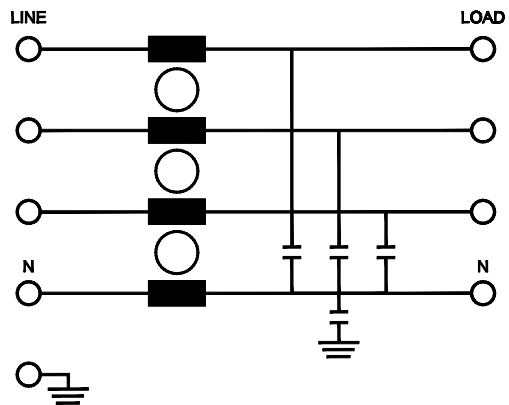
Y-cap, nF	mA, 480V/60Hz
0	0
10	0.1
22	0.2
100	1

PART NUMBER/ ORDERING

RP410	-X (Amps)	-Y (Ycap, nF)	-T	WT LBS (Kg) TYP
	6	0	QD	0.7 (0.3)
	10	10		0.7 (0.3)
	20	22		0.7 (0.3)
		100		

Note: Use any combination of -Y with any -X (Amps) rating
e.g. RP410-20-22-QD (20 Amps with 22nF Ycap)

SCHEMATIC



www.radiuspower.com

Reference purposes only.
Specifications are subject to change.

RP410

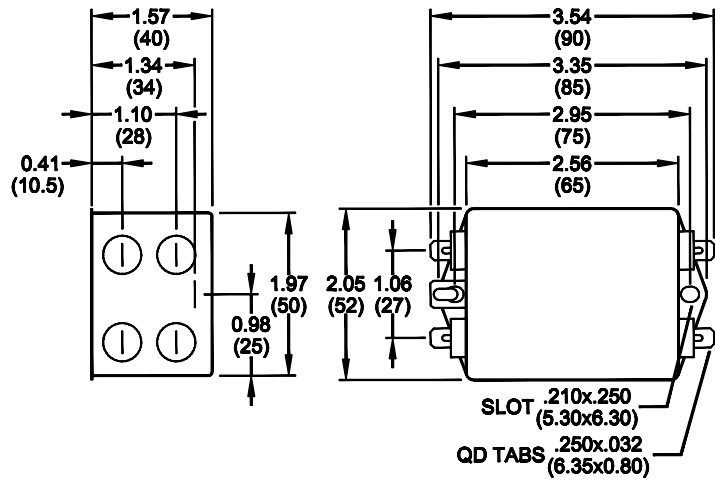
Typical Insertion Loss, dB (50/50ohm)

Mechanical Dimensions

6 Amp					
FREQ (MHz)	.15	.5	1	10	30
CM (dB)	26	40	45	45	40
DM (dB)	16	28	35	55	55

10 Amp					
FREQ (MHz)	.15	.5	1	10	30
CM (dB)	16	30	35	40	36
DM (dB)	16	26	32	54	56

20 Amp					
FREQ (MHz)	.15	.5	1	10	30
CM (dB)	10	20	30	40	45
DM (dB)	16	24	32	52	55



TYPICAL TOLERANCE: +/-0.02 (0.50)

www.radiuspower.com

Reference purposes only.
Specifications are subject to change.