



RP2180 Series

Ultra Compact Single Stage Power Line Filter

RP2180 ULTRA COMPACT TO 10A CHASSIS MOUNT FILTER

ROHS COMPLIANT



SPECIFICATIONS

Operating Freq.	: 50/60Hz
Usable Freq.	: DC - 400Hz
Operating Voltage	: 250V +10%
Ambient Temperature	: -25 to 40C
Climatic Category	: 25/100/21
Hipot Rating	: 2700VDC (P/N-E)
Terminals (-T)	: QD: 0.25 Tabs
Safety Approvals	: cURus, EN60939

LEAKAGE CURRENT

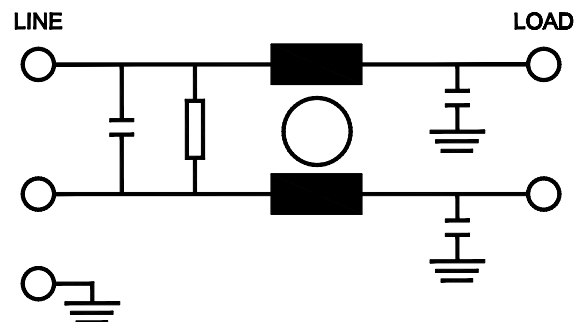
Y-cap, nF	mA, 120V/60Hz	mA, 250V/60Hz
0	0	0
.47	0.04	0.08
1	0.09	0.18
2.2	0.2	0.4
4.7	0.4	0.8

PART NUMBER/ ORDERING

RP2180	-X (Amps)	-Y (Ycap, nF)	-T	WT LBS (Kg) TYP
	1	0	-QD	0.04 (0.02)
	3	.47		0.04 (0.02)
	6	1		0.04 (0.02)
	10	2.2		0.04 (0.02)
		4.7		

Note: Use any combination of -Y with any -X (Amps) rating
e.g. RP2180-6-4.7-QD (6Amps with 4.7nF Ycap)

SCHEMATIC



www.radiuspower.com



RP2180

Typical Insertion Loss, dB (50/50ohm)

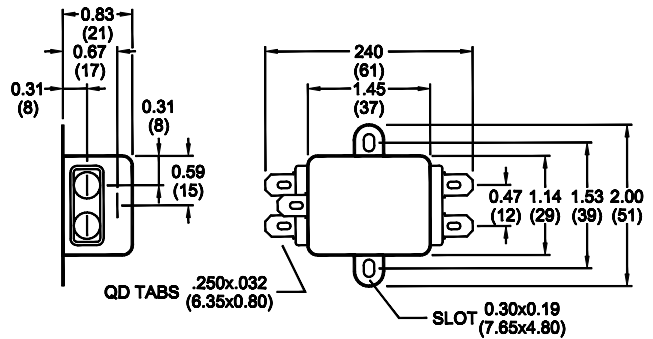
Mechanical Dimensions

1 Amp					
FREQ (MHz)	.15	.5	1.0	10	30
CM(dB)	46	55	55	55	40
DM(dB)	12	26	50	50	44

3 Amp					
FREQ (MHz)	.15	.5	1.0	10	30
CM(dB)	30	40	55	55	60
DM(dB)	12	22	32	50	45

6 Amp					
FREQ (MHz)	.15	.5	1.0	10	30
CM(dB)	22	35	42	55	60
DM(dB)	12	22	28	50	44

10 Amp					
FREQ (MHz)	.15	.5	1.0	10	30
CM(dB)	10	20	26	50	60
DM(dB)	12	20	26	50	50



TYPICAL TOLERANCE: +/-0.02 (0.50)

www.radiuspower.com

Reference purposes only.
Specifications are subject to change.

Engineering Assistance: engg@radiuspower.com
Sales: sales@radiuspower.com