

RP210 Series

Compact Dual Stage Power Line Filter

RP210 DUAL STAGE TO 16A CHASSIS MOUNT FILTER

ROHS COMPLIANT



SPECIFICATIONS

Operating Freq.	: 50/60Hz
Usable Freq.	: DC - 400Hz
Operating Voltage	: 250V +10%
Ambient Temperature	: -25 to 40C
Climatic Category	: 25/100/21
Hipot Rating	: 2700VDC (P/N-E)
Terminals (-T)	: QD: 0.25 Tab
Safety Approvals	: cURus, EN60939

LEAKAGE CURRENT

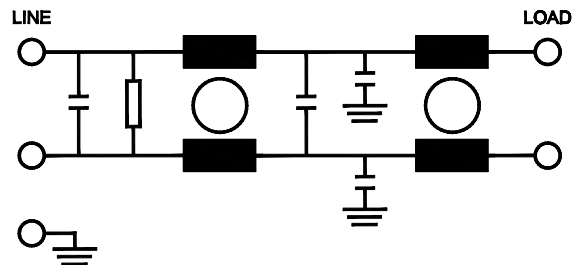
Y-cap, nF	mA, 120V/60Hz	mA, 250V/60Hz
0	0	0
.47	0.04	0.08
1	0.09	0.18
2.2	0.2	0.4
4.7	0.4	0.8
10	0.9	1.8

PART NUMBER/ ORDERING

RP210	-X (Amps)	-Y (Ycap, nF)	-T	WT LBS (Kg) TYP
	3	0	QD	0.4 (0.2)
	6	.47		0.4 (0.2)
	10	1		0.4 (0.2)
	16	2.2		0.5 (0.2)
		4.7		
		10		

Note: Use any combination of -Y with any -X (Amps) rating
e.g. RP210-6-4.7-QD (6Amps with 4.7nF Ycap)

SCHEMATIC



RP210

Typical Insertion Loss, dB (50/50ohm)

Mechanical Dimensions

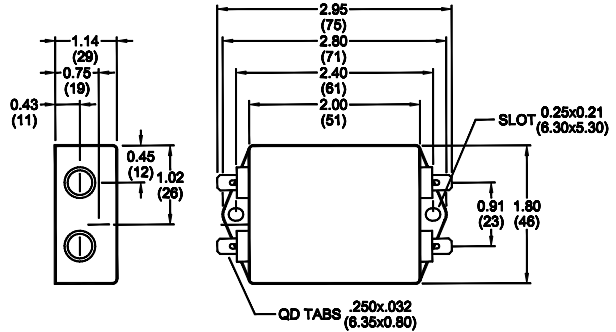
3 Amp					
FREQ (MHz)	.15	.5	1.0	10	30
CM(dB)	40	50	50	45	40
DM(dB)	15	26	45	50	50

6 Amp					
FREQ (MHz)	.15	.5	1.0	10	30
CM(dB)	30	42	50	55	35
DM(dB)	18	30	40	55	50

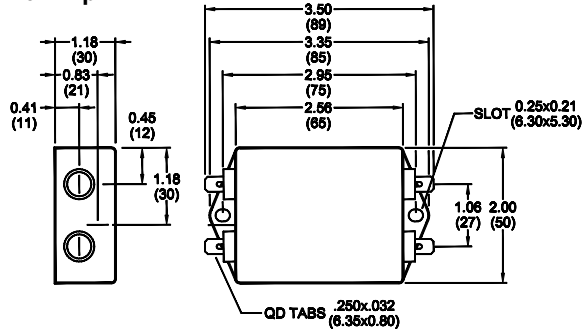
10 Amp					
FREQ (MHz)	.15	.5	1.0	10	30
CM(dB)	20	30	36	55	40
DM(dB)	15	26	32	55	40

16 Amp					
FREQ (MHz)	.15	.5	1.0	10	30
CM(dB)	18	25	40	55	45
DM(dB)	15	25	40	65	50

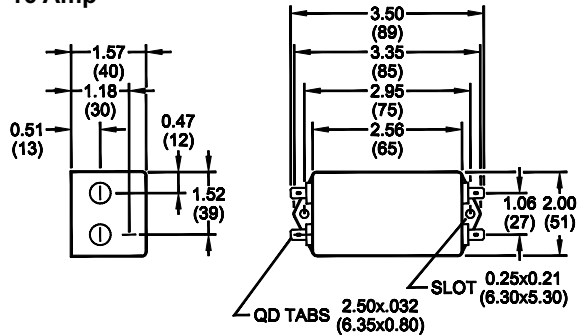
3/6 Amp



10 Amp



16 Amp



TYPICAL TOLERANCE: +/-0.02 (0.50)