



RP188 Series

Power Entry Module Single Stage Power Line Filter

**RP188
PEM TO 10A
IEC INLET/ DUAL FUSE/ SWITCH**

ROHS COMPLIANT



SPECIFICATIONS

Operation Freq.	: 50/60HZ
Operation Voltage	: 250V +10%
Ambient Temperature	: -25 to 40C
Climatic Category	: 25/100/21
Hipot Rating	: 1800VDC (P/N-E)
Plastic Mtg Force	: 18 LBS
Terminals (-T)	: QD: 0.187 Tabs
Safety Approvals	: cURus, EN60939

LEAKAGE CURRENT

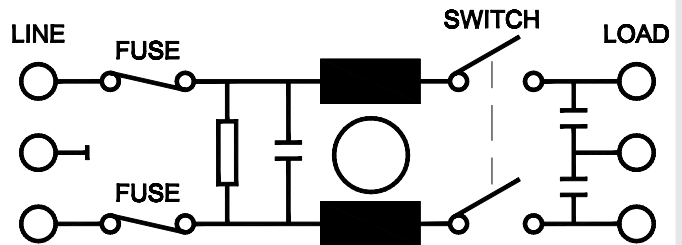
Y-cap, nF	mA, 120V/60Hz	mA, 250V/60Hz
0	0	0
.47	0.04	0.08
1	0.09	0.18
2.2	0.2	0.4
4.7	0.4	0.8

PART NUMBER/ ORDERING

RP188	-X (Amps)	-Y (Ycap, nF)	-T	WT LBS (Kg) TYP
	3	0	-QD	0.2 (.07)
	6	.47		0.2 (.07)
	10	1		0.2 (.07)
		2.2		
		4.7		

Note: Use any combination of -Y with any -X (Amps) rating
e.g. RP188-3-4.7-QD (3Amps with 4.7nF Ycap)

SCHEMATIC



www.radiuspower.com

RP188

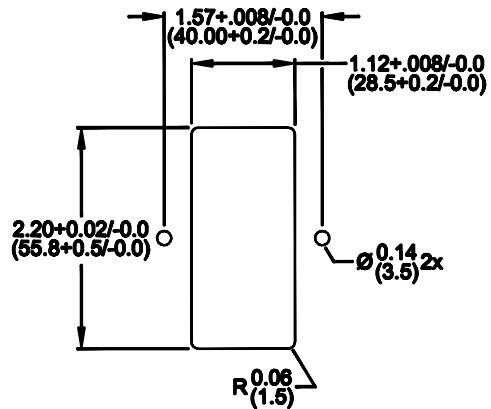
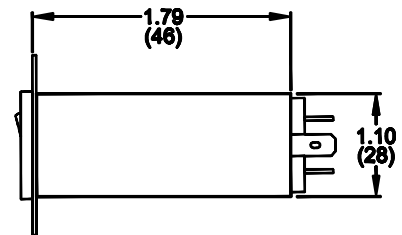
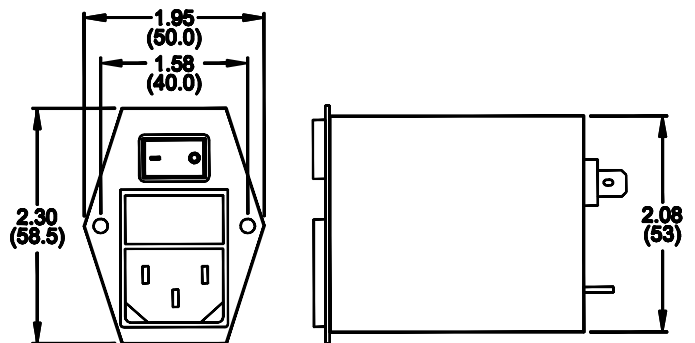
Typical Insertion Loss, dB (50/50ohm)

Mechanical Dimensions

3 Amp					
FREQ (MHz)	.15	.5	1.0	10	30
CM(dB)	28	38	50	50	50
DM(dB)	18	28	38	60	60

6 Amp					
FREQ (MHz)	.15	.5	1.0	10	30
CM(dB)	24	38	50	50	50
DM(dB)	18	28	36	55	55

10 Amp					
FREQ (MHz)	.15	.5	1.0	10	30
CM(dB)	10	22	30	55	45
DM(dB)	18	28	36	50	50



TYPICAL TOLERANCE: +/-0.02 (0.50)

www.radiuspower.com

Reference purposes only.
Specifications are subject to change.