

RPC1299-30

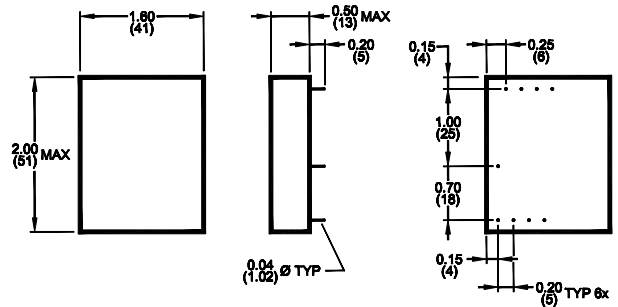
30 Amp Dual Stage PCB DC Filter

**RPC1299-30
HIGH CURRENT/HIGH
PERFORMANCE COMPACT PCB DC
FILTER FOR -48VDC
TELECOM/DC-DC
CONVERTERS AND RELATED
APPLICATIONS**

ROHS COMPLIANT



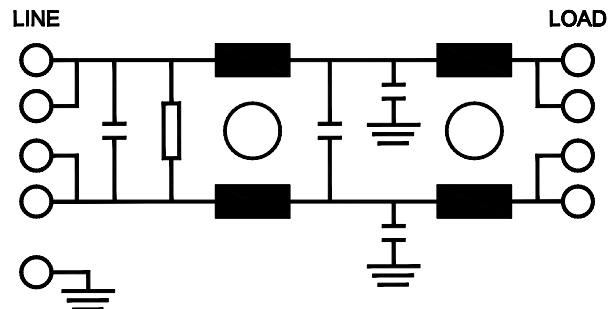
MECHANICAL



SPECIFICATIONS

Operating Freq.	: DC
Operating Voltage	: 75VDC
Operating Current	: 30ADC
Opp Case Temp	: -40C to 100C
Storage Temp	: -55C to 125C
DC Resistance/Line	1.25mohm Typ
Hipot Rating	: 2500VDC (P/N-E)
Safety Approvals	: UL/CSA/EN60950

SCHEMATIC



TYPICAL INSERTION LOSS dB (50/50ohm)

FREQ (MHz)	.15	.5	1.0	10	30
CM(dB)	12	30	42	55	45
DM(dB)	10	32	44	50	60

www.radiuspower.com

Reference purposes only.
Specifications are subject to change.

Engineering Assistance: engg@radiuspower.com
Sales: sales@radiuspower.com