

RP692 Series

High Voltage/High Current DC Power Line Filter

RP692
DC TO 2500A & 1200V
CHASSIS MOUNT FILTER
INVERTER APPLICATION

ROHS COMPLIANT

SPECIFICATIONS

Operating Voltage	: 1200VDC
Ambient Temperature	: -25 to 60C
Climatic Category	: 25/100/21
Hipot Rating	: 4700VDC (L-E)
Terminals (-T)	: S: 25/50A (M5) 75A (M6) 100A (M8) 150A (M10) B: 250A (5x20) 400A (6x25) 600A (8x25) 800/1000A (8x40) 1500A (10x60) 2500A (15x70)
Safety Approvals	: cURus, EN60939

PART NUMBER/ ORDERING

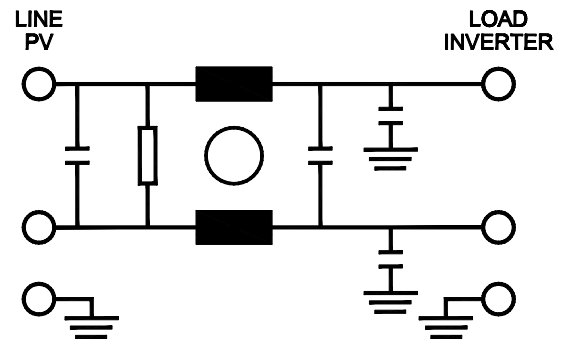
RP692	-X (Amps)	-Y (Ycap, nF)	-T	WT LBS (Kg) TYP
	25	100	-S	3.0 (1.4)
	50	1000	-B	5.5 (2.5)
	75	2000		5.5 (2.5)
	100			8.5 (3.9)
	150			13.0 (5.9)
	250			13.0 (5.9)
	400			17.0 (7.7)
	600			17.0 (7.7)
	800			18.0 (8.2)
	1000			18.0 (8.2)
	1500			18.0 (8.2)
	2500			60.0 (27.2)

Note: Use any combination of -Y with any -X (Amps) rating
 e.g. RP692-25-100-S (25 Amps with 100nF Y-cap)

Reference purposes only.
 Specifications are subject to change.

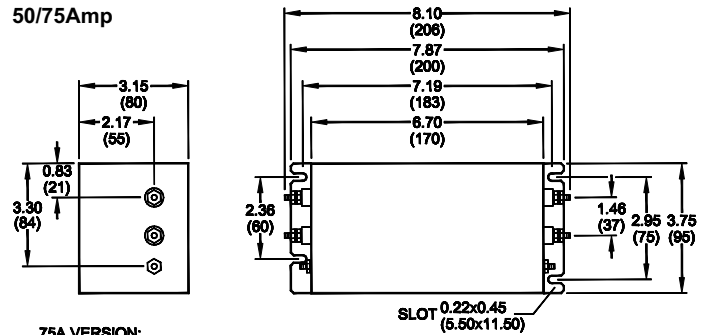
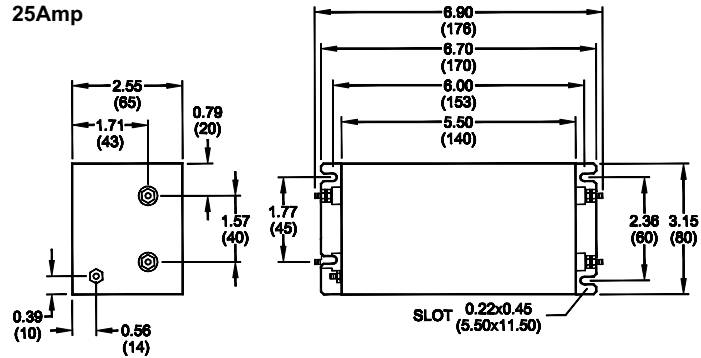


SCHEMATIC

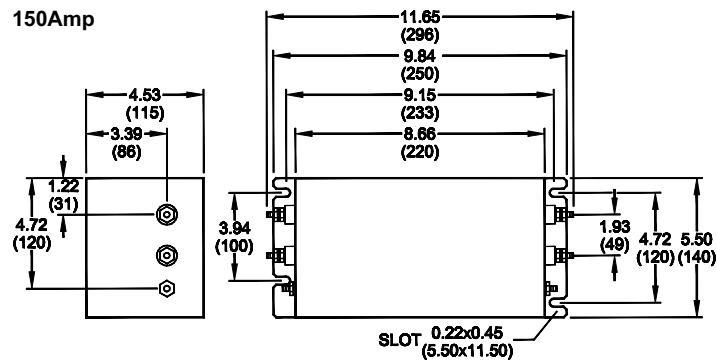
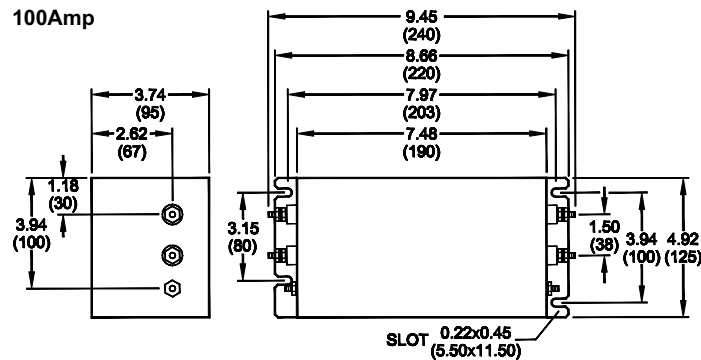


RP692

Typical Insertion Loss, dB (50/50ohm) Mechanical Drawings



75A VERSION:
(OVERALL STUD TO STUD DISTANCE: 8.66" (220))



TYPICAL TOLERANCE: +/-0.02 (0.50)

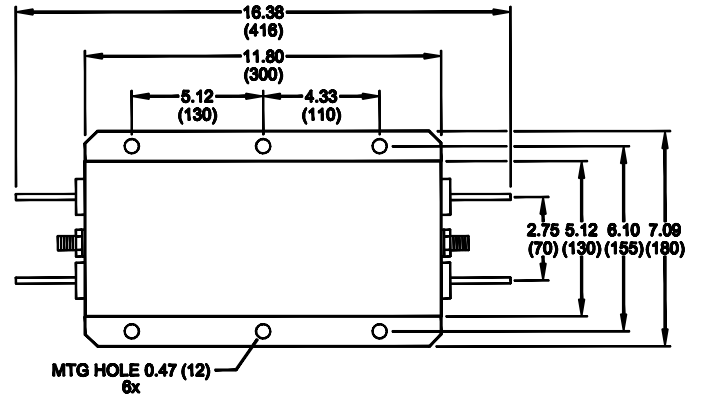
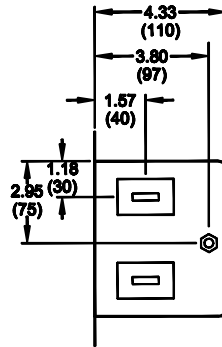
25/50/75/100/150 Amp					
FREQ (MHz)	.15	.5	1	10	30
CM (dB)	65	75	55	45	40
DM (dB)	65	70	50	35	30

RP692

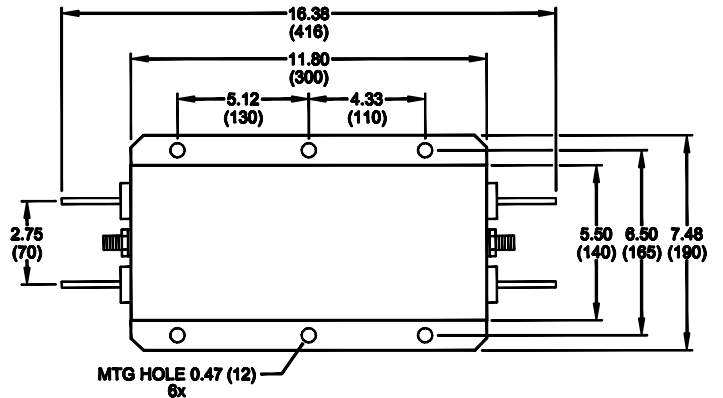
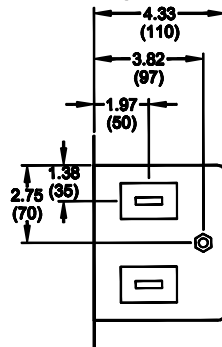
Typical Insertion Loss, dB (50/50ohm)

Mechanical Dimensions

250Amp

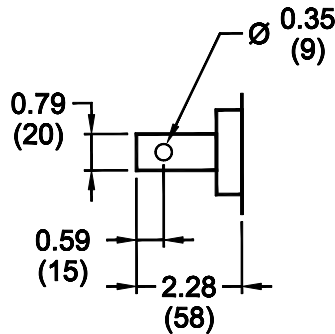


400/600Amp

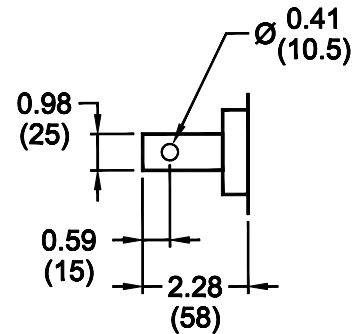


250/400/600 Amp					
FREQ (MHz)	.15	.5	1	10	30
CM (dB)	65	75	55	45	40
DM (dB)	65	70	50	35	30

250Amp BUSBAR DETAIL



400/600Amp BUSBAR DETAIL



TYPICAL TOLERANCE: +/-0.02 (0.50)

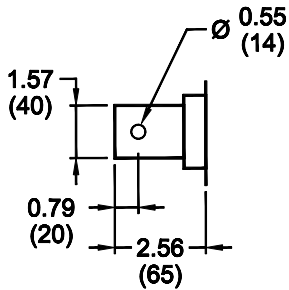
400A Busbar: 6x25
600A Busbar: 8x25

RP692

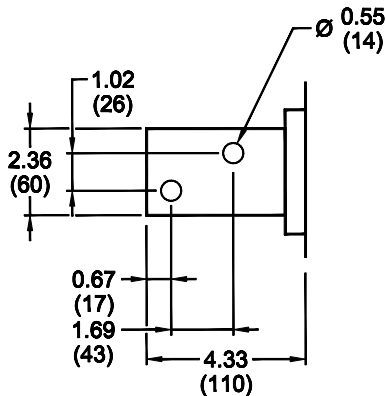
Typical Insertion Loss, dB (50/50ohm) Mechanical Dimensions

800/1000/1500/2500 Amp					
FREQ (MHz)	.15	.5	1	10	30
CM (dB)	65	75	55	45	40
DM (dB)	65	70	50	35	30

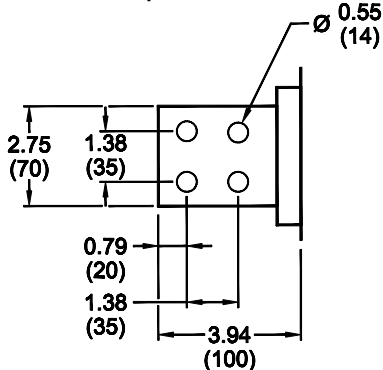
800/1000Amp BUSBAR DETAIL



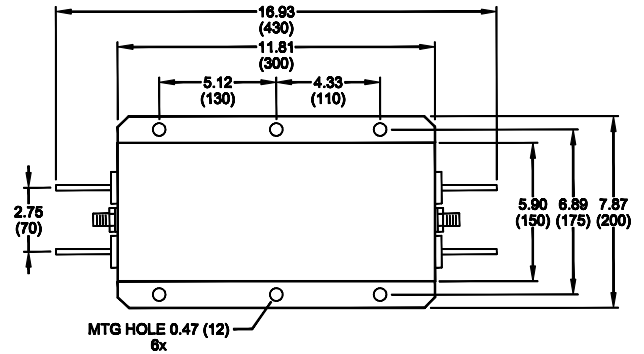
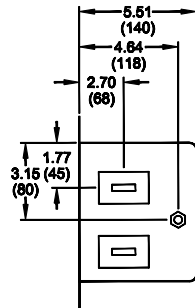
1500Amp BUSBAR DETAIL



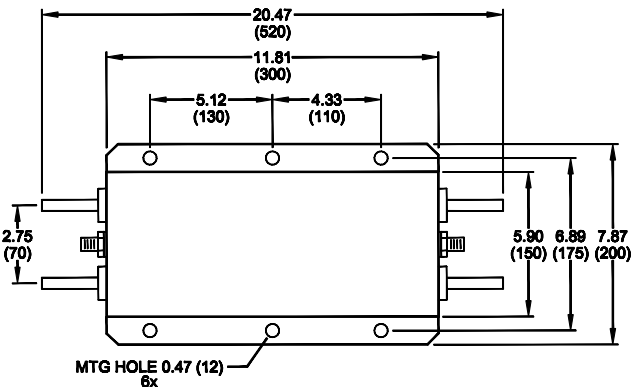
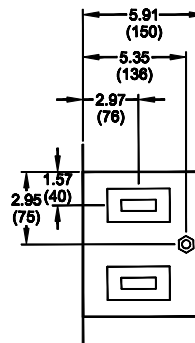
2500Amp BUSBAR DETAIL



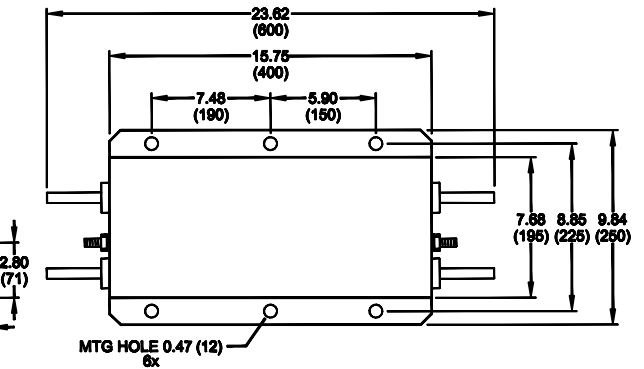
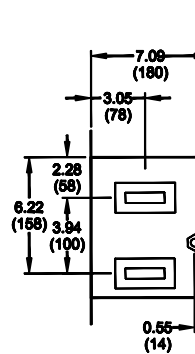
800/1000Amp



1500Amp



2500Amp



TYPICAL TOLERANCE: +/-0.02 (0.50)