



RP600C Series

High Performance, W/ Circuit Breaker DC Power Line Filter

**RP600C
HIGH PERFORMANCE TO 125A
DC FILTER WITH CIRCUIT BREAKER**

ROHS COMPLIANT



SPECIFICATIONS

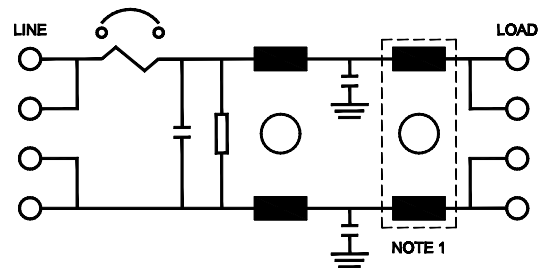
Operating Voltage	: 100VDC
Ambient Temperature	: -25 to 55C
Climatic Category	: 25/100/21
Hipot Rating	: 2700VDC (L-E)
Terminals (-T)	: S: 15/30/60A (M5) 80/100/125A (M6)
Safety Approvals	: UR, EN60939

PART NUMBER/ ORDERING

RP600C	-X (Amps)	-Y (Ycap, nF)	-T	-Z	WT LBS (Kg) TYP
	15	10	-S	-B	
	30	100		-F	3.0 (1.4)
	60	1000			
	80				
	100				
	125				

Note: -Z = Mounting
 B = Bulkhead Mounting
 F = Flange Mounting
 Use any combination of -Y(YCap) with any -X (Amps) rating:
 e.g. RP600C-30-10-S-F (30 Amps with 10nF Ycap, Flange)

SCHEMATIC



NOTE: 1
INDUCTOR REMOVED FOR 100A AND 125A

www.radiuspower.com



RP600C

Typical Insertion Loss, dB (50/50ohm)

15 Amp					
FREQ (MHz)	.15	.5	1	10	30
CM (dB)	22	42	50	50	40
DM (dB)	30	32	38	40	35

30 Amp					
FREQ (MHz)	.15	.5	1	10	30
CM (dB)	24	50	60	45	38
DM (dB)	32	35	60	45	30

60/80 Amp					
FREQ (MHz)	.15	.5	1	10	30
CM (dB)	18	40	40	45	35
DM (dB)	40	42	35	42	35

100 Amp					
FREQ (MHz)	.15	.5	1	10	30
CM (dB)	20	40	40	35	25
DM (dB)	40	42	30	45	35

125 Amp					
FREQ (MHz)	.15	.5	1	10	30
CM (dB)	20	32	34	30	20
DM (dB)	40	42	30	42	35

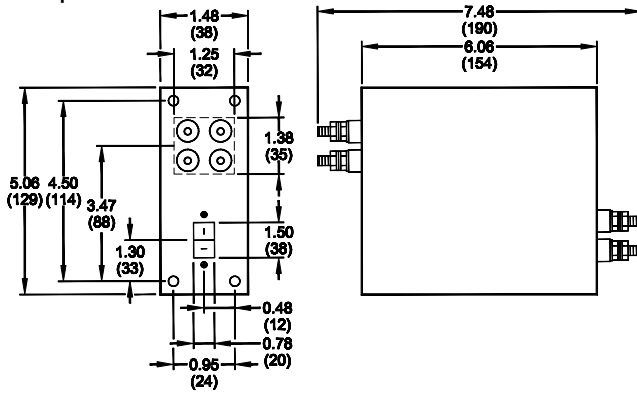


RP600C

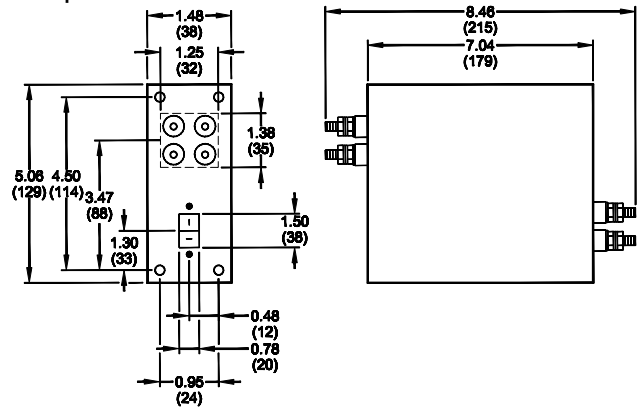
Bulkhead Mounting Style

Mechanical Dimensions

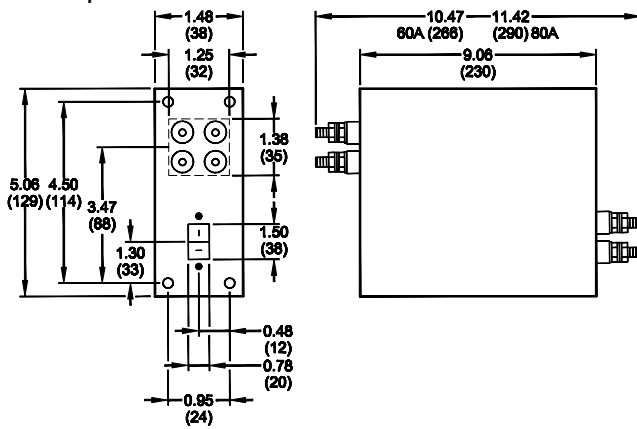
15Amp



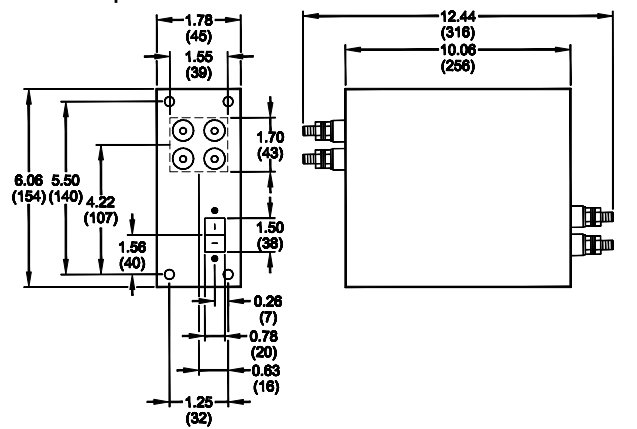
30Amp



60/80Amp



100/125Amp



TYPICAL TOLERANCE: +/-0.02 (0.50)

Reference purposes only.
Specifications are subject to change.

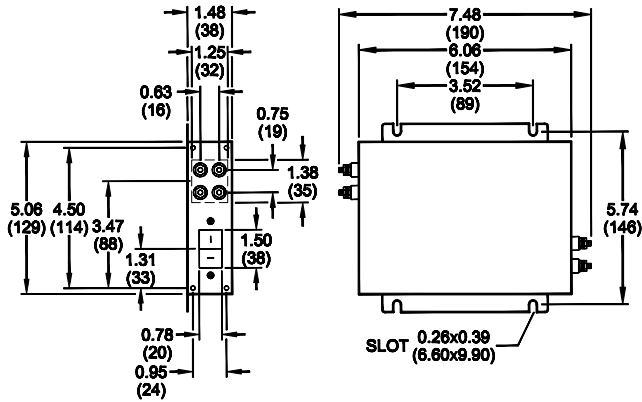


RP600C

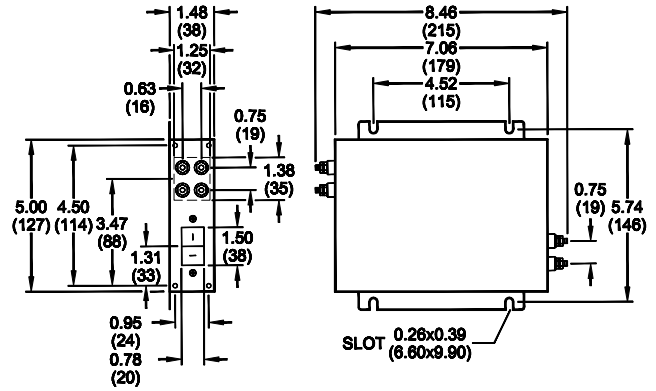
Flange Mounting Type

Mechanical Dimensions

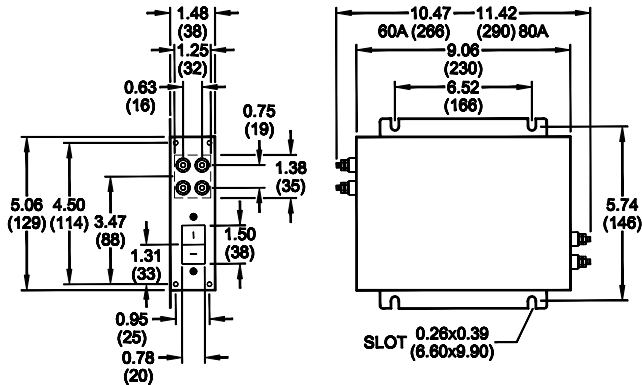
15Amp



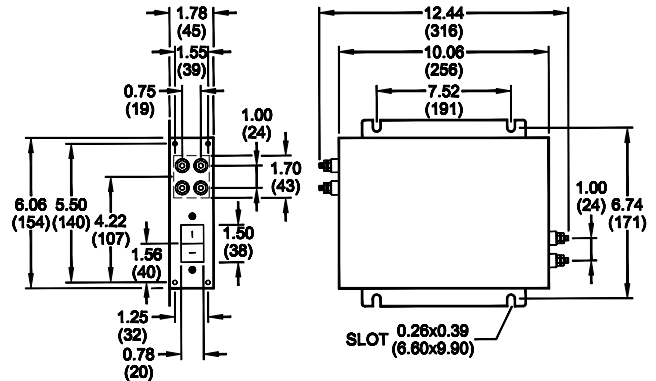
30Amp



60/80Amp



100/125Amp



TYPICAL TOLERANCE: +/-0.02 (0.50)

www.radiuspower.com

Reference purposes only.
Specifications are subject to change.

Engineering Assistance: engg@radiuspower.com
Sales: sales@radiuspower.com