

700- Series Universal Transformer

700-121
Asia-Europe-North America
40VA, 80VA,120VA

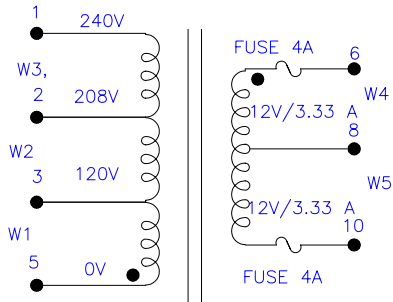
ROHS COMPLIANT



Specifications

Operating Freq.: 50/60Hz
 Input Voltage: 120V/208V/240V
 Output Voltage : 12V- 24 V AC
 Ambient Temperature: 40°C
 Efficiency > 85%
 Regulation 12%
 Temp rise : 75 Deg C Max at rated load
 Hipot Rating: 2500VAC
 Terminals: .250 Quick Disconnect Tabs
 Safety Approvals: UL/ CSA UL1585

Schematic



Part Number / Ordering

#	VA
700-075	40
700-121	80

Catalog 01-06 Dimensions are shown for Reference purposes only. Specifications are subject to change.